



RoHS compliant
Small Form Pluggable (SFP+)

1330 nm TX / 1270 nm RX , 10.3 Gbps 1-Fiber SM LC SFP+, CPRI



Features

- 1-Fiber Bi-Directional SFP Optical Transceiver
- Up to 10.3 Gbps Bi-directional Data Links
- Compliant with SFP+ MSA
- Compliant to IEEE 802.3ae 10GBASE-BX
- Simplex LC Connector
- 1330 nm DFB LD Transmitter
- 1270 nm Receiver
- Distance Up to 20 km
- AC/AC Coupling according to MSA
- Single +3.3 V Power Supply
- RoHS Compliant
- -40 to 85°C
- Class 1 Laser International Safety Standard IEC 60825 Compliant

Laser Safety

This single mode transceiver is a Class 1 laser product. It complies with IEC 60825 and FDA 21 CFR 1040.10 and 1040.11. The transceiver must be operated within the specified temperature and voltage limits. The optical ports of the module shall be terminated with an optical connector or with a dust plug.

Description

The CL-SFP+_20-33 CPRI series single mode transceiver is small form factor pluggable module for bi-directional serial optical data communications such as IEEE 802.3ae 10GBASE-BX by using 1330 nm transmitter and 1270 nm receiver. It is with the SFP 20-pin connector to allow hot plug capability. The transmitter section uses a multiple quantum well 1330 nm DFB laser and is a class 1 laser compliant according to International Safety Standard IEC 60825. The receiver section uses an integrated 1270 nm detector preamplifier (IDP) mounted in an optical header and a limiting post-amplifier IC.

Ordering Information

PART NUMBER	TX/RX	INPUT/OUTPUT	SIGNAL DETECT	TEMPERATURE	PACKAGE	Distance
CL-SFP+_20-33 CPRI	1330 / 1270	AC/AC	TTL	-40°C to 85 °C	LC SFP +	20km



RoHS compliant
Small Form Pluggable (SFP+)
1330 nm TX / 1270 nm RX , **10.3 Gbps** 1-Fiber SM LC SFP+

Applications

- 0GBASE-LR at 10.31Gbps
- 10GBASE-LW at 9.95Gbps
- OBSAI rates 6.144 Gb/s, 3.072 Gb/s,
- 1.536 Gb/s, 0.768Gb/s
- CPRI rates 10.138Gb/s ,9.830
- Gb/s,7.373Gb/s, 6.144 Gb/s, 4.915
- Gb/s, 2.458 Gb/s, 1.229 Gb/s, 0.614Gb/s

Pin Descriptions

Pin	Symbol	Name/Description	Ref.
1	VeeT	Transmitter Ground (Common with Receiver Ground)	1
2	TX Fault	Transmitter Fault. LVTTTL-O	2
3	TX Disable	Transmitter Disable. Laser output disabled on high or open. LVTTTL-I	3
4	SDA	2-Wire Serial Interface Data Line (Same as MOD-DEF2 in INF-8074i). LVTTTL-I/O	2
5	SCL	2-Wire Serial Interface Data Line (Same as MOD-DEF2 in INF-8074i). LVTTTL-I	2
6	Mod_ABS	Module Absent, Connect to VeeT or VeeR in Module.	2
7	RS0	Rate Select 0, optionally controls SFP+ module receiver LVTTTL-I	4
8	LOS	Loss of Signal indication. Logic 0 indicates normal operation. LVTTTL-O	5
9	RS1	Rate Select 1, optionally controls SFP+ module transmitter. LVTTTL-I	4



RoHS compliant
Small Form Pluggable (SFP+)
1330 nm TX / 1270 nm RX , 10.3 Gbps 1-Fiber SM LC SFP+

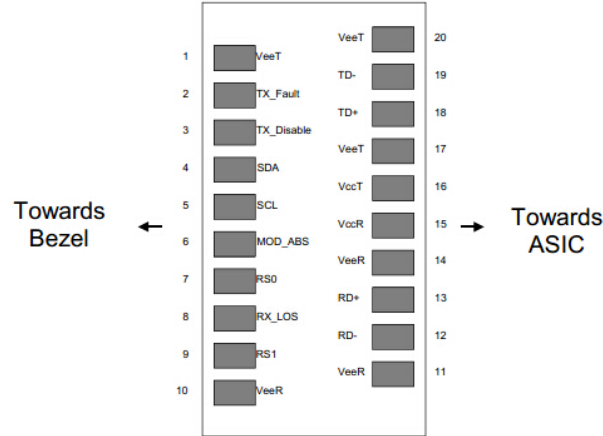
10	VeeR	Receiver Ground (Common with Transmitter Ground)	1
11	VeeR	Receiver Ground (Common with Transmitter Ground)	1
12	RD-	Receiver Inverted DATA out. AC Coupled. CML-O	
13	RD+	Receiver Non-inverted DATA out. AC Coupled. CML-O	
14	VeeR	Receiver Ground (Common with Transmitter Ground)	1
15	VccR	Receiver Power Supply	6
16	VccT	Transmitter Power Supply	6
17	VeeT	Transmitter Ground (Common with Receiver Ground)	1
18	TD+	Transmitter Non-Inverted DATA in. AC Coupled. CML- I	
19	TD-	Transmitter Inverted DATA in. AC Coupled. CML- I	
20	VeeT	Transmitter Ground (Common with Receiver Ground)	1

Notes:

1. Circuit ground is internally isolated from chassis ground.
2. TX Fault is an open collector/drain output .which should be pulled up with a 4.7K – 10K Ohms resistor on the host board if intended for use .Pull up voltage should be between 2.0V to Vcc+0.3V.A high output indicates a transmitter fault caused by either the tx bias current or the tx output power exceeding the preset alarm thresholds .A low output indicates normal operation .In the low state, the output is pulled to <0.8V.
3. Laser output disabled on TX Disable >2.0V or open, enabled on TX Disable<0.8V.
4. Internally pulled down per SFF-8431 Rev4.1.
5. LOS is open collector output. Should be pulled up with 4.7k – 10kohms on host board to a voltage between 2.0V and 3.6V. Logic 0 indicates normal operation; logic 1 indicates loss of signal.
6. Internally connected

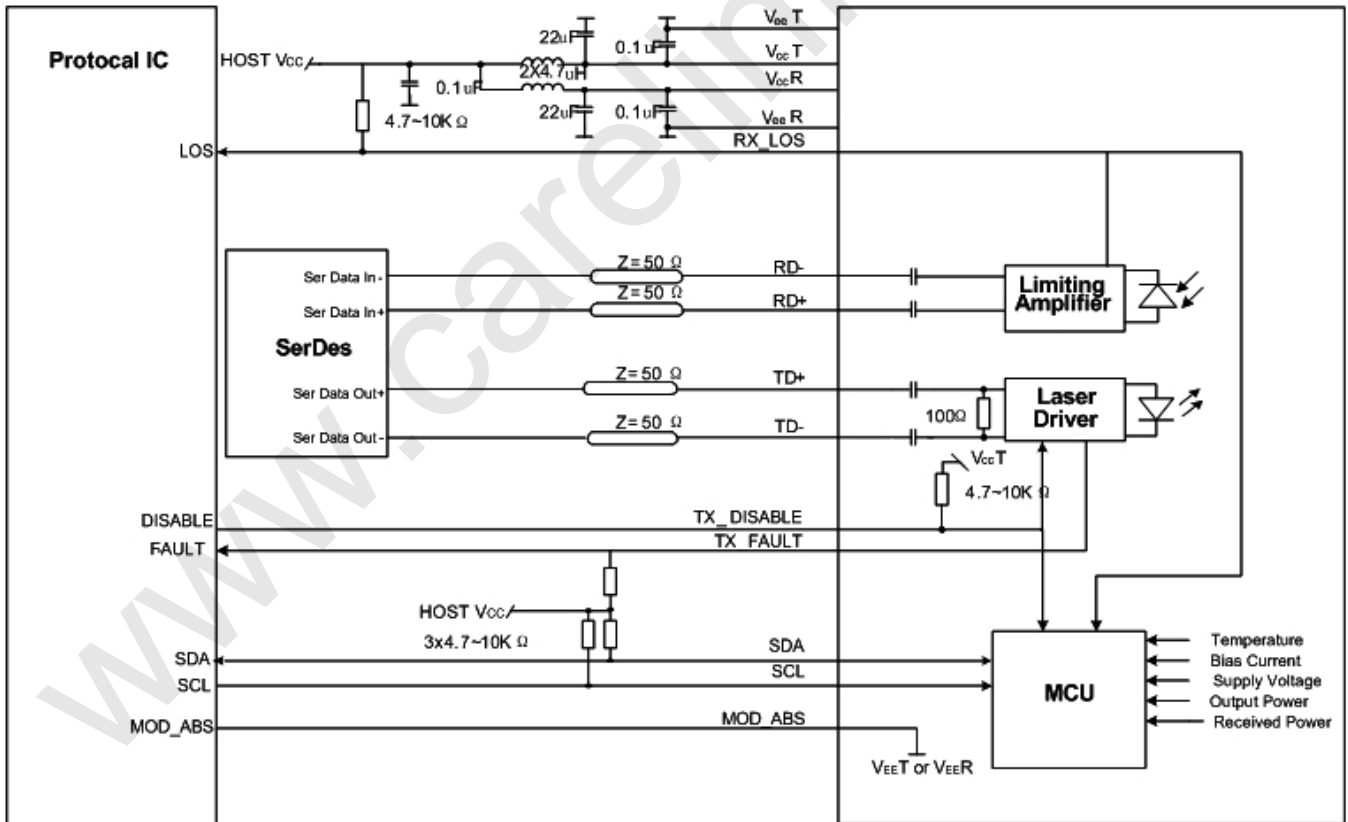


RoHS compliant
 Small Form Pluggable (SFP+)
 1330 nm TX / 1270 nm RX , 10.3 Gbps 1-Fiber SM LC SFP+



Pin-out of Connector Block on Host Board

Recommend Circuit Schematic



Absolute Maximum Ratings



RoHS compliant
Small Form Pluggable (SFP+)
1330 nm TX / 1270 nm RX , 10.3 Gbps 1-Fiber SM LC SFP+

Parameter	Symbol	Min	Typ	Max	Unit	Ref.
Maximum Supply Voltage	Vcc	-0.5		+4.0	V	
Storage Temperature	TS	-40		+85	°C	
Operating Humidity	RH	0		85	%	

Recommended Operating Conditions

Parameter	Symbol	Min	Typ	Max	Unit	Ref.
Power Supply Voltage	Vcc	3.13	3.30	3.47	V	
Power Supply Current	Icc			300	mA	Commercial
	Icc			350	mA	Industrial
Case Operating Temperature	Tc				°C	Commercial
	Te					Extended
	Tl	-40		+85		Industrial
Data Rate(Gigabit Ethernet)	BR		10.3		Gbps	
9/125um G.652 SMF	Lmax			20	km	

Electrical Characteristics (TOP=25°C, Vcc=3.3Volts)

Parameter	Symbol	Min	Typ	Max	Unit	Ref.
Transmitter						



RoHS compliant
Small Form Pluggable (SFP+)
1330 nm TX / 1270 nm RX , 10.3 Gbps 1-Fiber SM LC SFP+

Input differential impedance	Rin	80	100	120	Ω	1
Differential data input swing	Vin, pp	120		850	mV	
TX Disable-High		Vcc – 0.8		Vcc	V	
TX Disable-Low		Vee		Vee+ 0.8	V	
TX Fault-High		Vcc-0.8		Vcc	V	
TX Fault-Low		Vee		Vee+0.8	V	
Receiver						
Single ended data output swing	Vout, pp	300		850	mV	2
Data output rise time	Tr	30			ps	3
Data output fall time	Tf	30			ps	3
LOS-High		Vcc – 0.8		Vcc	V	
LOS-Low		Vee		Vee+0.8	V	

Notes:

1. AC coupled.
2. Into 100 ohm differential termination.
3. 20 – 80 %

Optical Characteristics (TOP=25°C, Vcc=3.3 Volts)

Parameter	Symbol	Min	Typ	Max	Unit	Ref.
Transmitter						
Output Opt. Power	PO	-2		+3	dBm	
Optical Wavelength	λ	1260	1270	1280	nm	
		1320	1330	1340	nm	
Side-Mode Suppression Ratio	SMSR	30			dB	
Spectral Width(-20dB)	Δλ			1	nm	
Optical Extinction Ratio	ER	3.5			dB	
Receiver						



RoHS compliant
Small Form Pluggable (SFP+)
1330 nm TX / 1270 nm RX , 10.3 Gbps 1-Fiber SM LC SFP+

RX Sensitivity @10.3Gb/s	SENS1			-13	dBm	1,2
Receiver Overload		0.5			dBm	
Optical Center Wavelength	λC	1320	1330	1340	nm	
		1260	1270	1280	nm	
LOS De-Assert	LOSD			-15	dBm	
LOS Assert	LOSA	-30			dBm	
LOS Hysteresis		0.5		5	dB	

Notes:

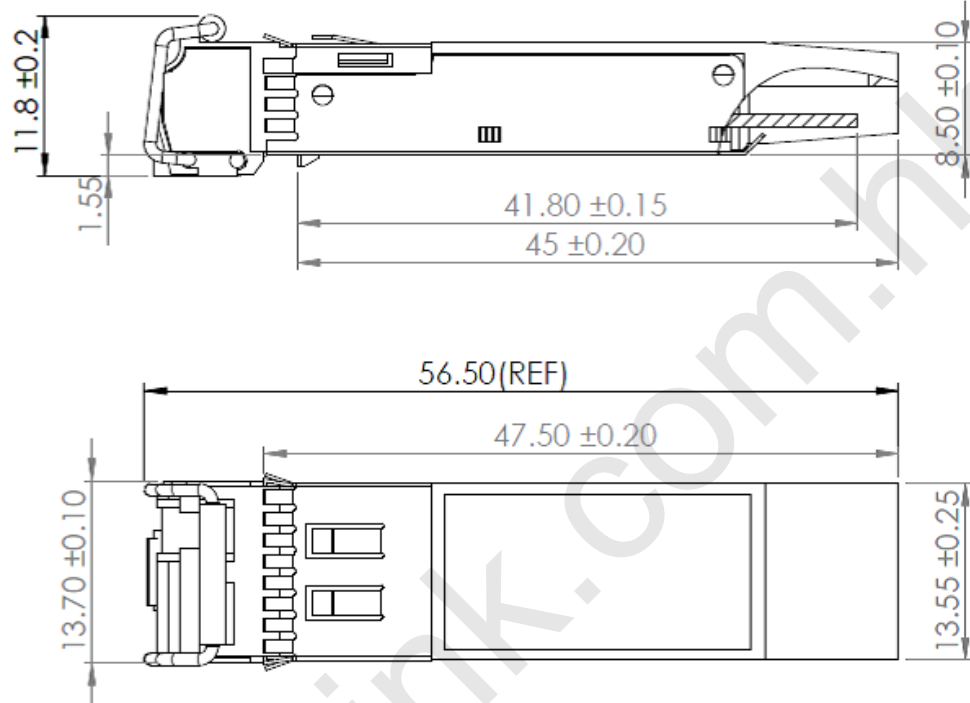
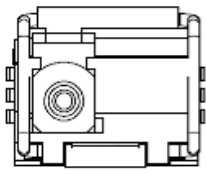
1. Measured with conformance signals defined in FC-P1-2 Rev. 10.0 specifications.
2. Measured with PRBS 2₃₁-1 at 10⁻¹² BER.

Mechanical Specifications

Carelink's Small Form Factor Pluggable (SFP+) transceivers are compatible with the dimensions defined by the SFP Multi-Sourcing Agreement (MSA).



RoHS compliant
Small Form Pluggable (SFP+)
1330 nm TX / 1270 nm RX , 10.3 Gbps 1-Fiber SM LC SFP+

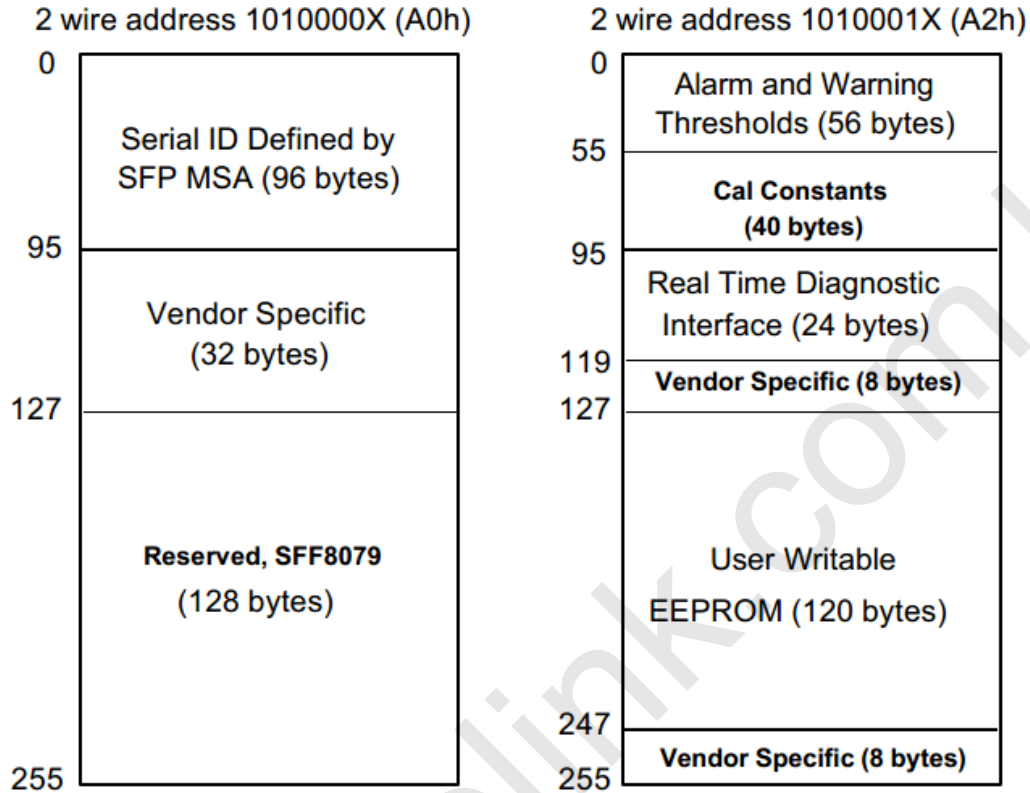


EEPROM Information

EEPROM memory map specific data field description is as below:



RoHS compliant
 Small Form Pluggable (SFP+)
 1330 nm TX / 1270 nm RX , **10.3 Gbps** 1-Fiber SM LC SFP+



Digital Diagnostic Monitoring Interface

Five transceiver parameter values are monitored. The following table defines the monitored parameter's accuracy.

Parameter	Range	Accuracy	Calibration
Temperature	-5 to +70°C (C)	±3°C	Internal
	-40 to +85°C (I)		
Voltage	2.97 to 3.63V	±3%	Internal
Bias Current	0 to 100mA	±10%	Internal
TX Power	-2 to +3dBm	±3dB	Internal
RX Power	-13 to 0.5dBm	±3dB	Internal