



**RoHS compliant**  
**TX-1330nm/RX-1270nm Single Fiber Bi-direction XFP Transceiver**  
**10GBASE-BX(Ethernet)**



### Features

- Compliant with IEEE802.3ae 10GBASE-BX
- Ethernet standard
- 16dB power budget, Bi-Direction link distance up to 40km
- Simplex LC connector
- Power consumption<1.5W
- Compliant with XFP MSA INF-8077i
- Differential LVPECL inputs and CML outputs
- Single power supply 3.3V
- TTL signal detect indicator
- Hot Pluggable
- Class 1 laser product complies with EN 60825-1

### Ordering Information

PART NUMBER	INPUT/OUTPUT	SIGNAL DETECT	VOLTAGE	TEMPERATURE
CL-XFP-40-33	AC/AC	TTL	3.3V	-10°C to 70 °C
CL-XFP-40-33e	AC/AC	TTL	3.3V	-30°C to 70 °C
CL-XFP-40-33i	AC/AC	TTL	3.3V	-40°C to 85 °C

### Absolute Maximum Ratings

PARAMETER	SYMBOL	MIN	MAX	UNITS	NOTE
Storage Temperature	$T_s$	-40	85	°C	
Supply Voltage	$V_{cc3}$	-0.5	4.0	V	
Input Voltage	$V_{IN}$	-0.5	$V_{cc}$	V	



RoHS compliant  
TX-1330nm/RX-1270nm Single Fiber Bi-direction XFP Transceiver  
10GBASE-BX(Ethernet)

### Recommended Operating Conditions

PARAMETER	SYMBOL	MIN	MAX	UNITS	NOTE
Case Operating Temperature	$T_c$	-5	70	°C	$T_c = -5^{\circ}\text{C}$ to $70^{\circ}\text{C}$
	$T_e$	-30	70	°C	$T_c = -30^{\circ}\text{C}$ to $70^{\circ}\text{C}$
	$T_i$	-40	85	°C	$T_c = -40^{\circ}\text{C}$ to $85^{\circ}\text{C}$
Supply Voltage	$V_{cc}$	3.1	3.5	V	
Supply Current	$I_{TX} + I_{RX}$	---	600	mA	

### Monitoring Specification

Data Address	PARAMETER	RANGE	ACCURACY
96-97	Temperature	-10 to $90^{\circ}\text{C}$	$\pm 3^{\circ}\text{C}$
100-101	Bias Current	0 to 100mA	$\pm 10\%$
102-103	TX Power	-4 to +5dBm	$\pm 2\text{dB}$
104-105	RX Power	-16 to 1.5dBm	$\pm 2\text{dB}$
106-107	Vcc3 Voltage	3.0~3.6Volts	$\pm 3\%$

### Transmitter Electro-optical Characteristics

$V_{cc} = 3.1\text{ V}$  to  $3.5\text{ V}$ ,  $T_c = 10^{\circ}\text{C}$  to  $70^{\circ}\text{C}$  for CL-XFP-40-33  
&  $T_c = -40^{\circ}\text{C}$  to  $85^{\circ}\text{C}$  for CL-XFP-40-33i



RoHS compliant  
 TX-1330nm/RX-1270nm Single Fiber Bi-direction XFP Transceiver  
 10GBASE-BX(Ethernet)

PARAMETER	SYMBOL	MIN	TYP.	MAX	UNITS	NOTE
Operating Data Rate		9.95		11.3	Gbps	
Input Reference Clock Rate		Not Required				
Output power	$P_{OUT}$	-2		+3	dBm	
Extinction Ratio	$ER$	3.5			dB	
Center Wavelength	$\lambda_C$	1320		1340	nm	
Sidemode Suppression ratio	$SSR_{min}$	30			dB	
The transmitter and dispersion penalty	$Tdp$			3.2	dB	
Relative Intensity Noise	$RIN$	---	---	-128	dB/Hz	
Output Eye		Compliant with IEEE802.3ae				
Differential Input Voltage	$V_{DIFF}$	0.25	---	1.0	V	
Transmit Fault Output-Low	$TX\_FAULT_L$	0.0	---	0.5	V	
Transmit Fault Output-High	$TX\_FAULT_H$	2.4	---	$V_{CC}$	V	
TX_DISABLE Assert Time	$t_{off}$	---	---	10	$\mu s$	
TX_DISABLE Negate Time	$t_{on}$	---	---	2	ms	
Time to initialize	$t_{init}$	---	---	300	ms	
Interrupt assert delay	Interrupt_on	---	---	200	ms	
Interrupt negate delay	Interrupt_off	---	---	500	$\mu s$	
P_Down/RST assert delay	P_Down/RS T_on			100	$\mu s$	
Mod_NR assert delay	Mod_nr_on			1	ms	
Mod_NR negate delay	Mod_nr_off			1	ms	
P-Down reset time		10			$\mu s$	
RX_LOS assert delay	t_loss_on			100	$\mu s$	
RX_LOS negate delay	t_loss_off			100	$\mu s$	



RoHS compliant  
 TX-1330nm/RX-1270nm Single Fiber Bi-direction XFP Transceiver  
 10GBASE-BX(Ethernet)

**Receiver Electro-optical Characteristics**

$V_{cc} = 3.1\text{ V to } 3.5\text{ V}$ ,  $T_C = -10^\circ\text{C to } 70^\circ\text{C}$  for **CL-XFP-40-33** &  $T_C = -40^\circ\text{C to } 85^\circ\text{C}$  for **CL-XFP-40-33i**

PARAMETER	SYMBOL	MIN	TYP.	MAX	UNITS	NOTE
Receiver Overload		0.5			dBm	BER < $10^{-12}$
Receiver Sensitivity				-14	dBm	BER < $10^{-12}$
Operating Center Wavelength	$\lambda_C$	1260	---	1280	nm	
Optical Return Loss	ORL	14	---	---	dB	
Loss of Signal-Asserted	$P_A$	---	---	-30	dBm	
Loss of Signal-Deasserted	$P_D$	-18	---	---	dBm	
Differential Output Voltage	$V_{DIFF}$	0.5	0.65	0.8	V	
TTL Input High Voltage		2		$V_{cc}$	V	
TTL Input Low Voltage		0		0.8	V	
TTL Output High Voltage		2.4	---	$V_{cc}$	V	
TTL Output Low Voltage		0	---	0.4	V	
Receiver Loss of Signal Assert Time (off to on)	$t_{A,RX\_LOS}$	---	---	100	$\mu\text{s}$	
Receiver Loss of Signal Assert Time (on to off)	$t_{D,RX\_LOS}$	---	---	100	$\mu\text{s}$	



**RoHS compliant**  
**TX-1330nm/RX-1270nm Single Fiber Bi-direction XFP Transceiver**  
**10GBASE-BX(Ethernet)**

---

[www.carelink.com.hk](http://www.carelink.com.hk)



**RoHS compliant**  
**TX-1330nm/RX-1270nm Single Fiber Bi-direction XFP Transceiver**  
**10GBASE-BX(Ethernet)**

**Serial ID Memory Contents (Table 01h)**

<i>Address</i>	<i>Size</i>	<i>Name</i>	<i>Hex</i>	<i>Description</i>
128	1	Identifier	06	XFP
129	1	Ext. Identifier	10	Power consumption<1.5W Tx reference clock not required
130	1	Connector	07	LC Connector
131-138	8	Transceiver	44 40 00 00 00 00 00 00	10G BASE-LR/LW 10GFC 1200-SM-LL-L
139	1	Encoding	D0	64B/66B 8B10B NRZ
140	1	BR-Min	63	9.95Gbps
141	1	BR-Max	71	11.3Gbps
142	1	Length(SMF)-km	28	40km
143	1	Length(E-50um)	00	0
144	1	Length(50um)	00	0
145	1	Length(62.5um)	00	0
146	1	Length(copper)	00	0
147	1	Device Tech	40	Uncooled 1310 DFB, PIN detector
148-163	16	Vendor name	43 61 72 65 6c 69 6e 6b 20 20 20 20 20 20 20 20	Carelink
164	1	CDR support	F8	9.95~11.3Gbps
165-167	3	Vender OUI	00 00 00	
168-183	16	Vender PN	43 4c 20 58 46 50 20 32 30 2d 33 33 00 00 00 00	CL-XFP-40-33
			43 4c 20 58 46 50 20 32 30 2d 33 33 00 00 00 00	CL-XFP-40-33i
184-185	2	Vender rev	xx xx	



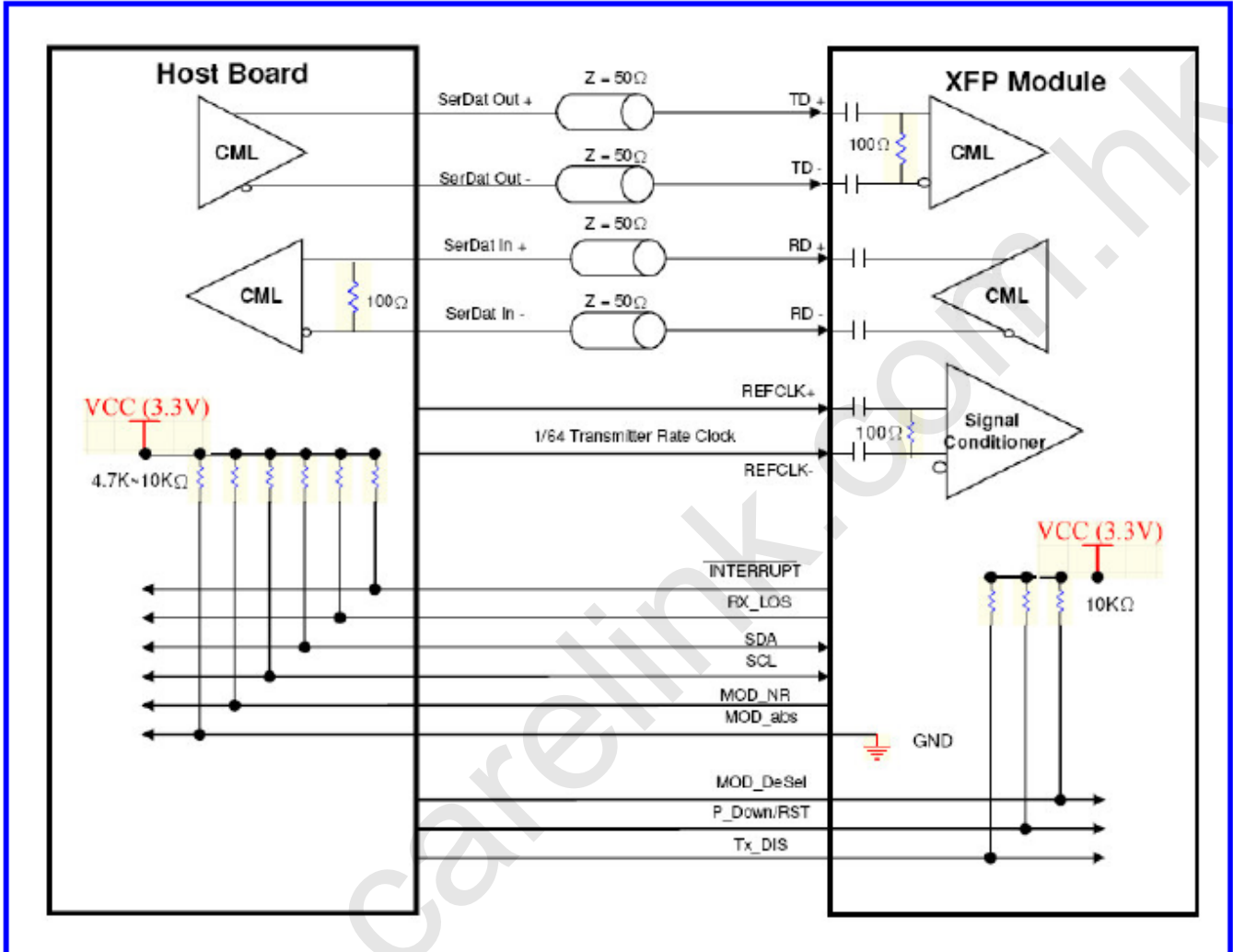
**RoHS compliant**  
**TX-1330nm/RX-1270nm Single Fiber Bi-direction XFP Transceiver**  
**10GBASE-BX(Ethernet)**

186-187	2	Wavelength	67 E8	Tx 1330nm
188-189	2	Wavelength Tolerance	07 D0	+/- 10nm
190	1	Max Case Temp	46	70degC CL-XFP-40-33
			55	85degC CL-XFP-40-33i
191	1	CC_BASE		Check code(128~190)
192-195	4	Power Supply	4B 64 05 00	1.5W (power consumption) 1W (power down mode) 500mA (3.3V)
196-211	16	Vender SN		ASCII
212-219	8	Vender date code	xx xx xx xx xx xx 20 20	ASCII Year(2bytes) , Month(2bytes) , Day(2bytes)
220	1	Diagnostic Monitoring Type	08	No BER support; Average Power
221	1	Enhanced Options	60	Optional soft Tx_disable and P_down
222	1	Aux Monitoring	70	AUX1:+3.3V power supply
223	1	CC_EXT		Check code(192~222)
224-255	32	Vendor specific		Reserved



RoHS compliant  
 TX-1330nm/RX-1270nm Single Fiber Bi-direction XFP Transceiver  
 10GBASE-BX(Ethernet)

Block Diagram of Transceiver



MOD\_NR

The Mod\_NR is an output pin that when High, indicates that the module has detected a condition that renders transmitter and or receiver data invalid, shall consist of logical OR of the following signals:

- Transmit Signal Conditioner Loss of Lock
- Transmitter Laser Fault
- Receiver Signal Conditioner Loss of Lock





**RoHS compliant**  
**TX-1330nm/RX-1270nm Single Fiber Bi-direction XFP Transceiver**  
**10GBASE-BX(Ethernet)**

---

### **MOD\_DESEL**

The Mod\_DeSel is an input pin. When held Low by the host, the module responds to 2-wire serial communication commands. The Mod\_DeSel allows the use of multiple XFP modules on a single 2-wire interface bus. When the Mod\_DeSel pin is “High”, the module shall not respond to or acknowledge any 2-wire interface communication from the host.

### **INTERRUPT**

Interrupt is an output pin. When “Low”, indicates possible module operational fault or a status critical to the host system.

### **TX\_DIS**

TX\_DIS is an input pin. When TX\_DIS is asserted High, the XFP module transmitter output must be turned off.

### **MOD\_ABS**

Mod\_ABS is pulled up to Host\_Vcc on the host board and grounded in the XFP module. Mod\_ABS is then asserted “High” when the XFP module is physically absent from a host slot.

### **RX\_LOS**

The RX\_LOS when High indicates insufficient optical power for reliable signal reception.

### **P\_Down/RST**

This is a multifunction pin for module Power Down and Reset. The P\_Down/RST pin must be pulled up to VCC3 in the XFP module.

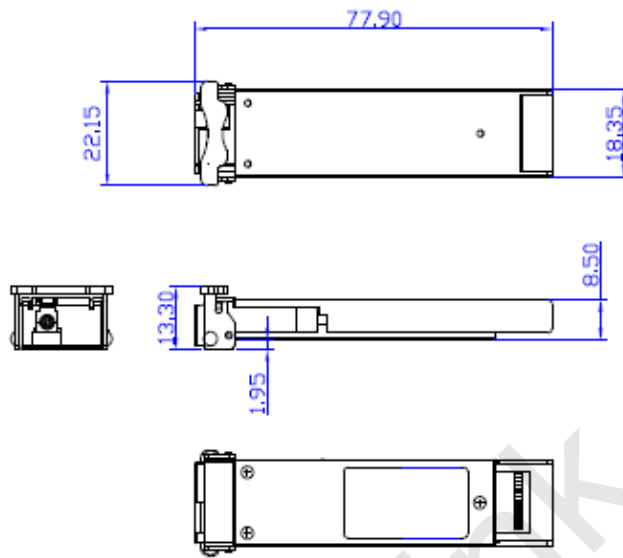
### **POWER DOWN FUNCTION**

The P\_Down pin, when held High by the host, places the module in the standby (Low Power) mode with a maximum power dissipation of 1.5W. This protects hosts which are not capable of cooling higher power modules which may be accidentally inserted.



RoHS compliant  
TX-1330nm/RX-1270nm Single Fiber Bi-direction XFP Transceiver  
10GBASE-BX(Ethernet)

### Dimensions



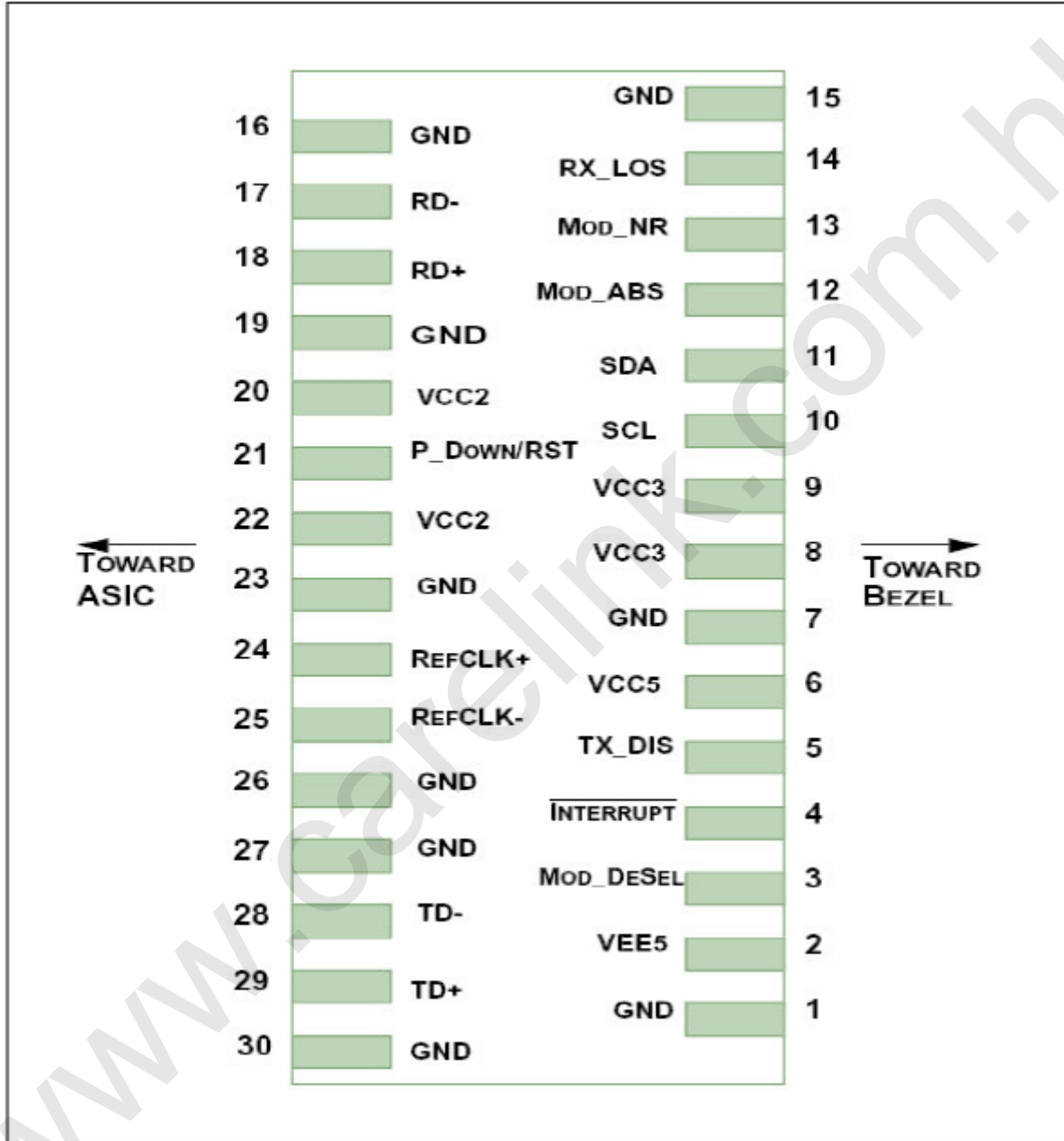
**DIMENSIONS ARE IN MILLIMETERS**

**ALL DIMENSIONS ARE  $\pm 0.2\text{mm}$  UNLESS OTHERWISE SPECIFIED**



RoHS compliant  
TX-1330nm/RX-1270nm Single Fiber Bi-direction XFP Transceiver  
10GBASE-BX(Ethernet)

Pin Assignment





**RoHS compliant**  
**TX-1330nm/RX-1270nm Single Fiber Bi-direction XFP Transceiver**  
**10GBASE-BX(Ethernet)**

<i>Pin</i>	<i>Logic</i>	<i>Symbol</i>	<i>Name/Description</i>	<i>Note</i>
1		GND	Module Ground	1
2		VEE5	Optional -5.2V Power Supply	
3	LVTTL-I	Mod_DeSel	Module De-select; When held low allows module to respond to 2-wire serial interface	
4	LVTTL-O	Interrupt	Interrupt; Indicates presence of an important condition which can be read over the 2-wire serial interface	2
5	LVTTL-I	TX_DIS	Transmitter Disable; Turns off transmitter laser output	
6		VCC5	+5V Power Supply	
7		GND	Module Ground	1
8		VCC3	+3.3V Power Supply	
9		VCC3	+3.3V Power Supply	
10	LVTTL-I/O	SCL	2-Wire Serial Interface Clock	2
11	LVTTL-I/O	SDA	2-Wire Serial Interface Data Line	2
12	LVTTL-O	Mod_Abs	Indicates Module is not present. Grounded in the Module	2
13	LVTTL-O	Mod_NR	Module Not Ready; Indicating Module Operational Fault	2
14	LVTTL-O	RX_LOS	Receiver Loss Of Signal Indicator	2
15		GND	Module Ground	1
16		GND	Module Ground	1
17	CML-O	RD-	Receiver Inverted Data Output	
18	CML-O	RD+	Receiver Non-Inverted Data Output	
19		GND	Module Ground	1
20		VCC2	+1.8V Power Supply	3
21	LVTTL-I	P_Down/RST	Power down; When high, requires the module to limit power consumption to 1.5W or below. 2-Wire serial interface must be functional in the low power mode. Reset; The falling edge initiates a complete reset of the module including the 2-wire serial interface, equivalent to a power cycle.	
22		VCC2	+1.8V Power Supply	3
23		GND	Module Ground	1
24	PECL-I	RefCLK+	Reference Clock Non-Inverted Input, AC coupled on the host board	
25	PECL-I	RefCLK-	Reference Clock Inverted Input, AC coupled on the host board	
26		GND	Module Ground	1
27		GND	Module Ground	1
28	CML-I	TD-	Transmitter Inverted Data Input	
29	CML-I	TD+	Transmitter Non-Inverted Data Input	
30		GND	Module Ground	1

1. Module ground pins Gnd are isolated from the module case and chassis ground within the module.  
2. Shall be pulled up with 4.7K-10Kohms to a voltage between 3.15V and 3.45V on the host board.  
3. The 1.8 V power supply can be optionally programmed to voltages lower than 1.8 V in modules supporting the variable power supply.



**RoHS compliant**  
**TX-1330nm/RX-1270nm Single Fiber Bi-direction XFP Transceiver**  
**10GBASE-BX(Ethernet)**

**Regulatory Compliance**

Feature	Reference	Performance
Electrostatic discharge (ESD)	IEC/EN 61000-4-2	Compatible with standards
Electromagnetic Interference (EMI)	FCC Part 15 Class B EN 55022 Class B (CISPR 22A)	Compatible with standards
Laser Eye Safety	FDA 21CFR 1040.10, 1040.11 IEC/EN 60825-1, 2	Class 1 laser product
Component Recognition	IEC/EN 60950 , UL	Compatible with standards
ROHS	2002/95/EC	Compatible with standards
EMC	EN61000-3	Compatible with standards

**Eye Safety Mark**

<p>The LS3 series single-mode transceiver is a class 1 laser product. It complies with EN 60825-1 and FDA 21 CFR 1040.10 and 1040.11. In order to meet laser safety requirements the transceiver shall be operated within the Absolute Maximum Ratings.</p> <p><b><u>Caution</u></b> All adjustments have been done at the factory before the shipment of the devices. No maintenance and user serviceable part is required. Tampering with and modifying the performance of the device will result in voided product warranty.</p>	<p><b><u>Required Mark</u></b></p> <div style="border: 1px solid black; padding: 5px; text-align: center;"><p><b>Class 1 Laser Product</b> <b>Complies with</b> <b>21 CFR 1040.10 and 1040.11</b></p></div>
---	---

Note : All information contained in this document is subject to change without notice.