



RoHS compliant
TX-1330nm/RX-1270nm Single Fiber Bi-direction XFP Transceiver
10GBASE-BX(Ethernet)



Features

- Compliant with IEEE802.3ae 10GBASE-BX
- Ethernet standard
- Bi-Direction link distance up to 10km
- Simplex LC connector
- Power consumption<1.5W
- Compliant with XFP MSA INF-8077i
- Differential LVPECL inputs and CML outputs
- Single power supply 3.3V
- TTL signal detect indicator
- Hot Pluggable
- Class 1 laser product complies with EN 60825-1

Ordering Information

PART NUMBER	INPUT/OUTPUT	SIGNAL DETECT	VOLTAGE	TEMPERATURE
CL-XFP-10-33	AC/AC	TTL	3.3V	-10°C to 70 °C
CL-XFP-10-33e	AC/AC	TTL	3.3V	-30°C to 70 °C
CL-XFP-10-33i	AC/AC	TTL	3.3V	-40°C to 85 °C

Absolute Maximum Ratings

PARAMETER	SYMBOL	MIN	MAX	UNITS	NOTE
Storage Temperature	T_S	-40	85	°C	
Supply Voltage	V_{CC3}	-0.5	4.0	V	
Input Voltage	V_{IN}	-0.5	V_{CC}	V	



RoHS compliant
TX-1330nm/RX-1270nm Single Fiber Bi-direction XFP Transceiver
10GBASE-BX(Ethernet)

Recommended Operating Conditions

PARAMETER	SYMBOL	MIN	MAX	UNITS	NOTE
Case Operating Temperature	T_c	-5	70	°C	$T_c = -5^{\circ}\text{C}$ to 70°C
	T_c	-30	70	°C	$T_c = -30^{\circ}\text{C}$ to 70°C
	T_c	-40	85	°C	$T_c = -40^{\circ}\text{C}$ to 85°C
Supply Voltage	V_{cc}	3.1	3.5	V	
Supply Current	$I_{TX} + I_{RX}$	---	600	mA	

Monitoring Specification

Data Address	PARAMETER	RANGE	ACCURACY
96-97	Temperature	-10 to 90°C	$\pm 3^{\circ}\text{C}$
100-101	Bias Current	0 to 100mA	$\pm 10\%$
102-103	TX Power	-7 to +2dBm	$\pm 2\text{dB}$
104-105	RX Power	-16 to 1.5dBm	$\pm 2\text{dB}$
106-107	Vcc3 Voltage	3.0~3.6Volts	$\pm 3\%$

Transmitter Electro-optical Characteristics

$V_{cc} = 3.1\text{ V}$ to 3.5 V , $T_c = -10^{\circ}\text{C}$ to 70°C for CL-XFP-10-33
& $T_c = -40^{\circ}\text{C}$ to 85°C for CL-XFP-10-33i



RoHS compliant
 TX-1330nm/RX-1270nm Single Fiber Bi-direction XFP Transceiver
 10GBASE-BX(Ethernet)

PARAMETER	SYMBOL	MIN	TYP.	MAX	UNITS	NOTE
Operating Data Rate		9.95		11.3	Gbps	
Input Reference Clock Rate		Not Required				
Output power	P_{OUT}	-5		0	dBm	
Extinction Ratio	ER	3.5			dB	
Center Wavelength	λ_C	1320		1340	nm	
Sidemode Supression ratio	SSR_{min}	30			dB	
The transmitter and dispersion penalty	Tdp			3.2	dB	
Relative Intensity Noise	RIN	---	---	-128	dB/Hz	
Output Eye		Compliant with IEEE802.3ae				
Differential Input Voltage	V_{DIFF}	0.25	---	1.0	V	
Transmit Fault Output-Low	TX_FAULT_L	0.0	---	0.5	V	
Transmit Fault Output-High	TX_FAULT_H	2.4	---	V_{CC}	V	
TX_DISABLE Assert Time	t_{off}	---	---	10	μs	
TX_DISABLE Negate Time	t_{on}	---	---	2	ms	
Time to initialize	t_{init}	---	---	300	ms	
Interrupt assert delay	$Interrupt_{on}$	---	---	200	ms	
Interrupt negate delay	$Interrupt_{off}$	---	---	500	μs	
P_Down/RST assert delay	P_Down/RS T_{on}			100	μs	
Mod_NR assert delay	$Mod_{nr_{on}}$			1	ms	
Mod_NR negate delay	$Mod_{nr_{off}}$			1	ms	
P-Down reset time		10			μs	
RX_LOS assert delay	$t_{loss_{on}}$			100	μs	
RX_LOS negate delay	$t_{loss_{off}}$			100	μs	



RoHS compliant
 TX-1330nm/RX-1270nm Single Fiber Bi-direction XFP Transceiver
 10GBASE-BX(Ethernet)

Receiver Electro-optical Characteristics

$V_{cc} = 3.1\text{ V to }3.5\text{ V}$, $T_C = -10^\circ\text{C to }70^\circ\text{C}$ for **CL-XFP-10-33** & $T_C = -40^\circ\text{C to }85^\circ\text{C}$ for **CL-XFP-10-33i**

PARAMETER	SYMBOL	MIN	TYP.	MAX	UNITS	NOTE
Receiver Overload		0.5			dBm	BER < 10^{-12}
Receiver Sensitivity				-14	dBm	BER < 10^{-12}
Operating Center Wavelength	λ_C	1260	---	1280	nm	
Optical Return Loss	ORL	14	---	---	dB	
Loss of Signal-Asserted	P_A	---	---	-30	dBm	
Loss of Signal-Deasserted	P_D	-18	---	---	dBm	
Differential Output Voltage	V_{DIFF}	0.5	0.65	0.8	V	
TTL Input High Voltage		2		V_{cc}	V	
TTL Input Low Voltage		0		0.8	V	
TTL Output High Voltage		2.4	---	V_{cc}	V	
TTL Output Low Voltage		0	---	0.4	V	
Receiver Loss of Signal Assert Time (off to on)	t_{A,RX_LOS}	---	---	100	μs	
Receiver Loss of Signal Assert Time (on to off)	t_{D,RX_LOS}	---	---	100	μs	



RoHS compliant
TX-1330nm/RX-1270nm Single Fiber Bi-direction XFP Transceiver
10GBASE-BX(Ethernet)

www.carelink.com.hk



RoHS compliant
 TX-1330nm/RX-1270nm Single Fiber Bi-direction XFP Transceiver
 10GBASE-BX(Ethernet)

Serial ID Memory Contents (Table 01h)

Address	Size	Name	Hex	Description
128	1	Identifier	06	XFP
129	1	Ext. Identifier	10	Power consumption<1.5W Tx reference clock not required
130	1	Connector	07	LC Connector
131-138	8	Transceiver	44 40 00 00 00 00 00 00	10G BASE-LR/LW 10GFC 1200-SM-LL-L
139	1	Encoding	D0	64B/66B 8B10B NRZ
140	1	BR-Min	63	9.95Gbps
141	1	BR-Max	71	11.3Gbps
142	1	Length(SMF)-km	0A	10km
143	1	Length(E-50um)	00	0
144	1	Length(50um)	00	0
145	1	Length(62.5um)	00	0
146	1	Length(copper)	00	0
147	1	Device Tech	40	Uncooled DFB, PIN detector
148-163	16	Vendor name	43 61 72 65 6c 69 6e 6b 20 20 20 20 20 20 20 20	Carelink
164	1	CDR support	F8	9.95~11.3Gbps
165-167	3	Vendor OUI	00 00 00	
168-183	16	Vendor PN	43 4c 20 58 46 50 20 31 30 2d 32 37 00 00 00 00	CL-XFP-10-33
			43 4c 20 58 46 50 20 31 30 2d 32 37 00 00 00 00	CL-XFP-10-33i
184-185	2	Vendor rev	xx xx	



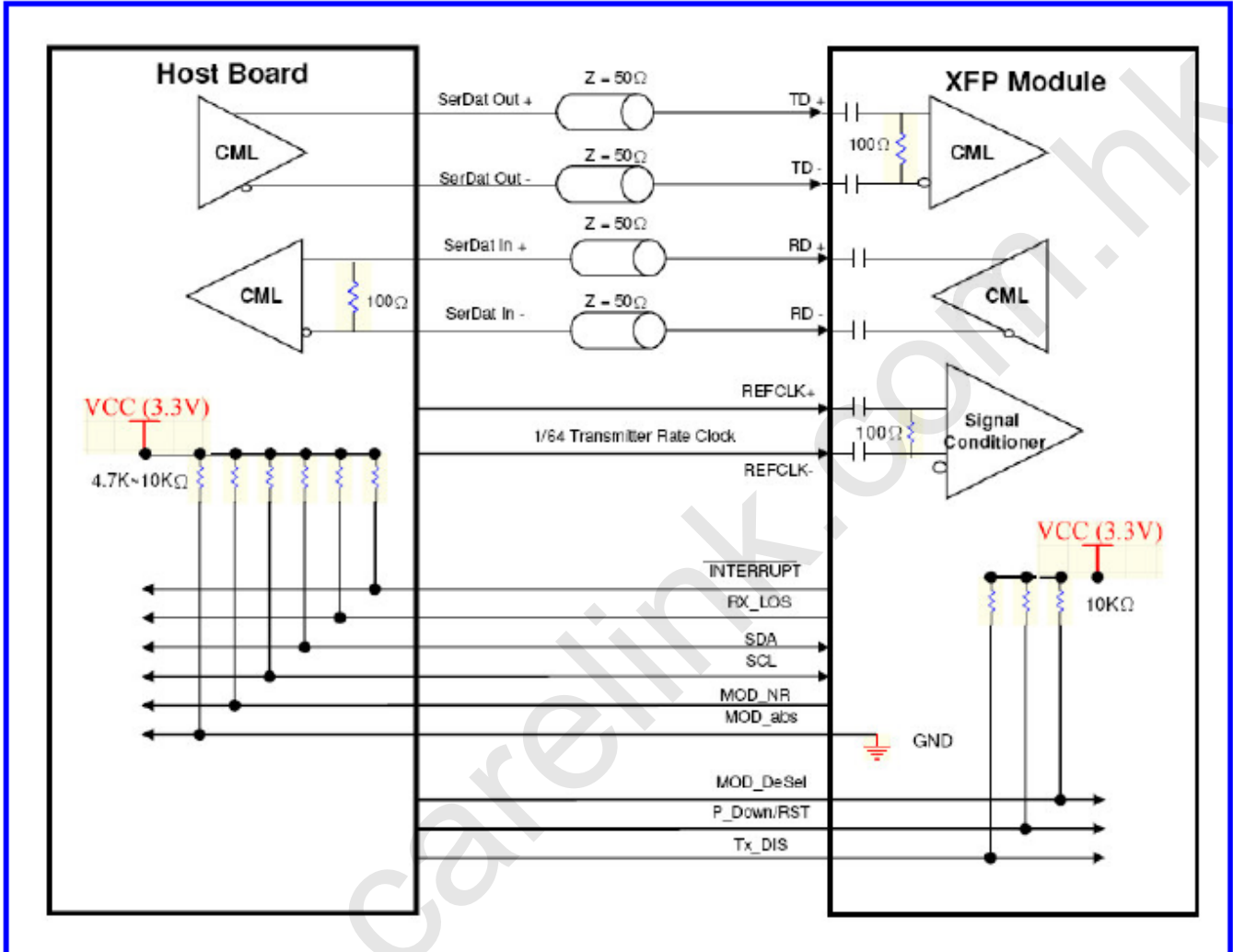
RoHS compliant
 TX-1330nm/RX-1270nm Single Fiber Bi-direction XFP Transceiver
 10GBASE-BX(Ethernet)

188-189	2	Wavelength Tolerance	07 D0	+/- 10nm
	1	Max Case Temp	46	70degC
			55	85degC
191	1	CC_BASE		Check code(128~190)
192-195	4	Power Supply	4B 64 05 00	1.5W (power consumption) 1W (power down mode) 500mA (3.3V)
196-211	16	Vender SN		ASCII
212-219	8	Vender date code	xx xx xx xx xx xx 20 20	ASCII Year(2bytes) , Month(2bytes) , Day(2bytes)
220	1	Diagnostic Monitoring Type	08	No BER support; Average Power
221	1	Enhanced Options	60	Optional soft Tx_disable and P_down
222	1	Aux Monitoring	70	AUX1:+3.3V power supply
223	1	CC_EXT		Check code(192~222)
224-255	32	Vendor specific		Reserved



RoHS compliant
 TX-1330nm/RX-1270nm Single Fiber Bi-direction XFP Transceiver
 10GBASE-BX(Ethernet)

Block Diagram of Transceiver



MOD_NR

The Mod_NR is an output pin that when High, indicates that the module has detected a condition that renders transmitter and or receiver data invalid, shall consist of logical OR of the following signals:

- Transmit Signal Conditioner Loss of Lock
- Transmitter Laser Fault
- Receiver Signal Conditioner Loss of Lock



RoHS compliant
TX-1330nm/RX-1270nm Single Fiber Bi-direction XFP Transceiver
10GBASE-BX(Ethernet)

MOD_DESEL

The Mod_DeSel is an input pin. When held Low by the host, the module responds to 2-wire serial communication commands. The Mod_DeSel allows the use of multiple XFP modules on a single 2-wire interface bus. When the Mod_DeSel pin is “High”, the module shall not respond to or acknowledge any 2-wire interface communication from the host.

INTERRUPT

Interrupt is an output pin. When “Low”, indicates possible module operational fault or a status critical to the host system.

TX_DIS

TX_DIS is an input pin. When TX_DIS is asserted High, the XFP module transmitter output must be turned off.

MOD_ABS

Mod_ABS is pulled up to Host_Vcc on the host board and grounded in the XFP module. Mod_ABS is then asserted “High” when the XFP module is physically absent from a host slot.

RX_LOS

The RX_LOS when High indicates insufficient optical power for reliable signal reception.

P_Down/RST

This is a multifunction pin for module Power Down and Reset. The P_Down/RST pin must be pulled up to VCC3 in the XFP module.

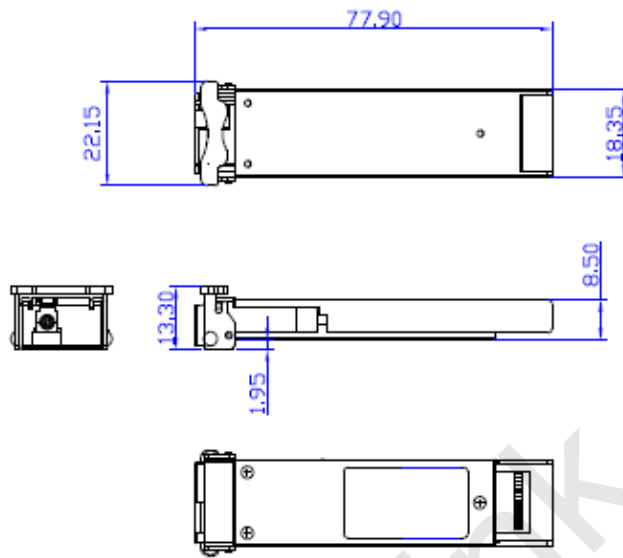
POWER DOWN FUNCTION

The P_Down pin, when held High by the host, places the module in the standby (Low Power) mode with a maximum power dissipation of 1.5W. This protects hosts which are not capable of cooling higher power modules which may be accidentally inserted.



RoHS compliant
TX-1330nm/RX-1270nm Single Fiber Bi-direction XFP Transceiver
10GBASE-BX(Ethernet)

Dimensions



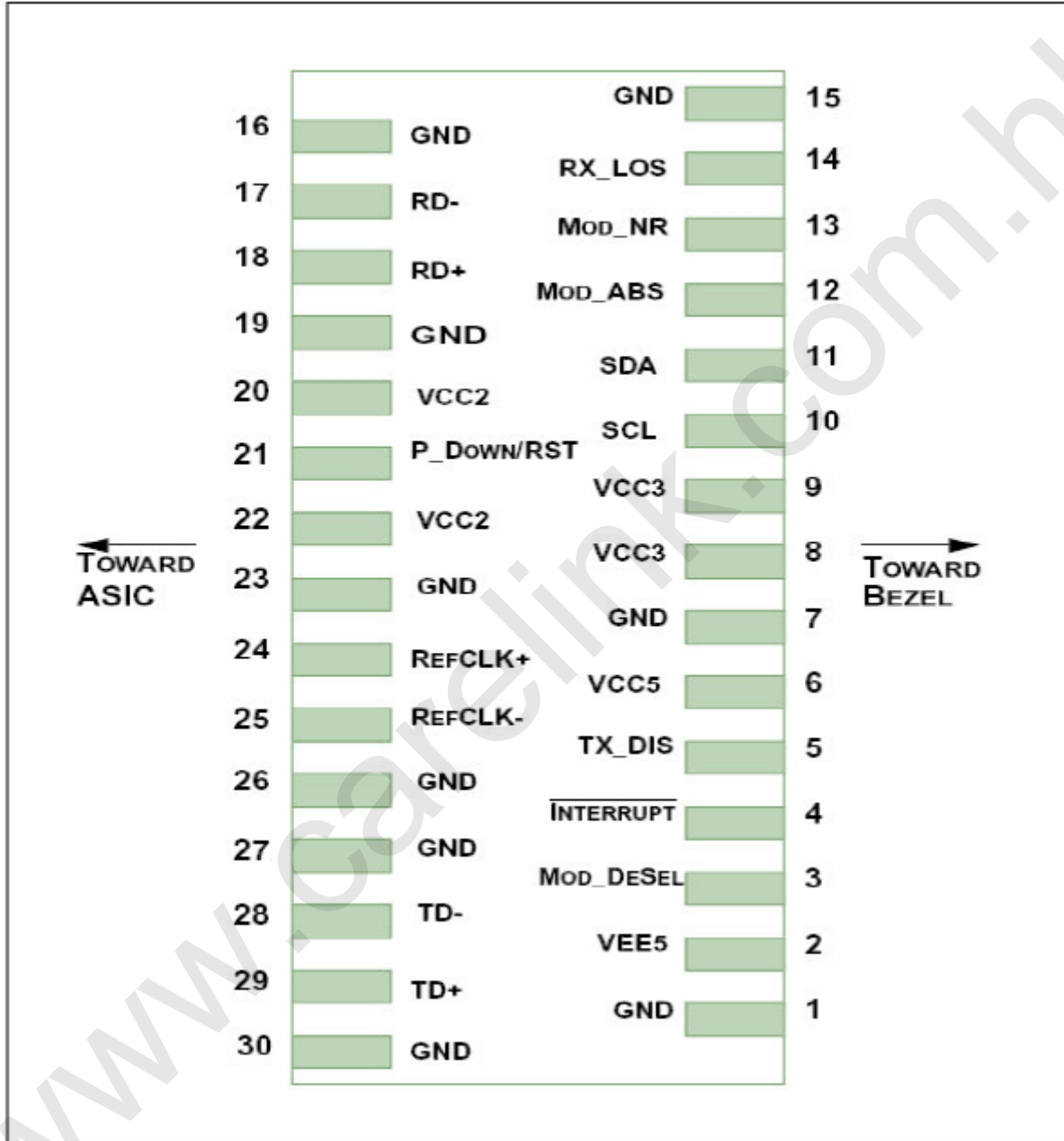
DIMENSIONS ARE IN MILLIMETERS

ALL DIMENSIONS ARE $\pm 0.2\text{mm}$ UNLESS OTHERWISE SPECIFIED



RoHS compliant
 TX-1330nm/RX-1270nm Single Fiber Bi-direction XFP Transceiver
 10GBASE-BX(Ethernet)

Pin Assignment





RoHS compliant
TX-1330nm/RX-1270nm Single Fiber Bi-direction XFP Transceiver
10GBASE-BX(Ethernet)

<i>Pin</i>	<i>Logic</i>	<i>Symbol</i>	<i>Name/Description</i>	<i>Note</i>
1		GND	Module Ground	1
2		VEE5	Optional -5.2V Power Supply	
3	LVTTL-I	Mod_DeSel	Module De-select; When held low allows module to respond to 2-wire serial interface	
4	LVTTL-O	Interrupt	Interrupt; Indicates presence of an important condition which can be read over the 2-wire serial interface	2
5	LVTTL-I	TX_DIS	Transmitter Disable; Turns off transmitter laser output	
6		VCC5	+5V Power Supply	
7		GND	Module Ground	1
8		VCC3	+3.3V Power Supply	
9		VCC3	+3.3V Power Supply	
10	LVTTL-I/O	SCL	2-Wire Serial Interface Clock	2
11	LVTTL-I/O	SDA	2-Wire Serial Interface Data Line	2
12	LVTTL-O	Mod_Abs	Indicates Module is not present. Grounded in the Module	2
13	LVTTL-O	Mod_NR	Module Not Ready; Indicating Module Operational Fault	2
14	LVTTL-O	RX_LOS	Receiver Loss Of Signal Indicator	2
15		GND	Module Ground	1
16		GND	Module Ground	1
17	CML-O	RD-	Receiver Inverted Data Output	
18	CML-O	RD+	Receiver Non-Inverted Data Output	
19		GND	Module Ground	1
20		VCC2	+1.8V Power Supply	3
21	LVTTL-I	P_Down/RST	Power down; When high, requires the module to limit power consumption to 1.5W or below. 2-Wire serial interface must be functional in the low power mode. Reset; The falling edge initiates a complete reset of the module including the 2-wire serial interface, equivalent to a power cycle.	
22		VCC2	+1.8V Power Supply	3
23		GND	Module Ground	1
24	PECL-I	RefCLK+	Reference Clock Non-Inverted Input, AC coupled on the host board	
25	PECL-I	RefCLK-	Reference Clock Inverted Input, AC coupled on the host board	
26		GND	Module Ground	1
27		GND	Module Ground	1
28	CML-I	TD-	Transmitter Inverted Data Input	
29	CML-I	TD+	Transmitter Non-Inverted Data Input	
30		GND	Module Ground	1

1. Module ground pins Gnd are isolated from the module case and chassis ground within the module.
2. Shall be pulled up with 4.7K-10Kohms to a voltage between 3.15V and 3.45V on the host board.
3. The 1.8 V power supply can be optionally programmed to voltages lower than 1.8 V in modules supporting the variable power supply.



RoHS compliant
TX-1330nm/RX-1270nm Single Fiber Bi-direction XFP Transceiver
10GBASE-BX(Ethernet)

Regulatory Compliance

Feature	Reference	Performance
Electrostatic discharge (ESD)	IEC/EN 61000-4-2	Compatible with standards
Electromagnetic Interference (EMI)	FCC Part 15 Class B EN 55022 Class B (CISPR 22A)	Compatible with standards
Laser Eye Safety	FDA 21CFR 1040.10, 1040.11 IEC/EN 60825-1, 2	Class 1 laser product
Component Recognition	IEC/EN 60950 , UL	Compatible with standards
ROHS	2002/95/EC	Compatible with standards
EMC	EN61000-3	Compatible with standards

Eye Safety Mark

<p>The LS3 series single-mode transceiver is a class 1 laser product. It complies with EN 60825-1 and FDA 21 CFR 1040.10 and 1040.11. In order to meet laser safety requirements the transceiver shall be operated within the Absolute Maximum Ratings.</p> <p>Caution All adjustments have been done at the factory before the shipment of the devices. No maintenance and user serviceable part is required. Tampering with and modifying the performance of the device will result in voided product warranty.</p>	<p>Required Mark</p> <div style="border: 1px solid black; padding: 5px; text-align: center;"><p>Class 1 Laser Product Complies with 21 CFR 1040.10 and 1040.11</p></div>
--	--

Note : All information contained in this document is subject to change without notice.