



RoHS compliant
850 nm Multi-mode XFP Transceiver
10GFC 1200-MX-SN-I(Fiber Channel), 10GBASE-SR(Ethernet)
OC-192,STM-64 application

Features

- Compliant with 10GFC 1200-MX-SN-I Fiber Channel standard
- Compliant with IEEE802.3ae 10GBASE-SW/SR Ethernet standard
- Compliant with XFP MSA INF-8077i
- SONET OC-192/SDH STM-64 application
- Differential CML inputs and CML outputs
- Single power supply 3.3V
- TTL signal detect indicator
- Hot Pluggable
- Class 1 laser product complies with EN 60825-1



Ordering Information

PART NUMBER	INPUT/OUTPUT	SIGNAL DETECT	VOLTAGE	TEMPERATURE
CL-XFP-SR-300	AC/AC	TTL	3.3V	-10°C to 70 °C
CL-XFP-SR-300i	AC/AC	TTL	3.3V	-10°C to 85 °C

Absolute Maximum Ratings

PARAMETER	SYMBOL	MIN	MAX	UNITS	NOTE
Storage Temperature	T_S	-40	85	°C	
Supply Voltage	V_{CC3}	-0.5	4.0	V	
Input Voltage	V_{IN}	-0.5	V_{CC}	V	



RoHS compliant
 850 nm Multi-mode XFP Transceiver
 10GFC 1200-MX-SN-I(Fiber Channel), 10GBASE-SR(Ethernet)
 OC-192,STM-64 application

Recommended Operating Conditions

PARAMETER	SYMBOL	MIN	MAX	UNITS	NOTE
Case Operating Temperature	T_c	-10	70	°C	$T_c = -10^{\circ}\text{C}$ to 85°C for CL-XFP-SR-300
Supply Voltage	V_{cc}	3.1	3.5	V	
Supply Current	$I_{TX} + I_{RX}$	---	250	mA	

Transmitter Electro-optical Characteristics

$V_{cc} = 3.1\text{ V}$ to 3.5 V , $T_c = -10^{\circ}\text{C}$ to 70°C for CL-XFP-SR-300 & $T_c = -10^{\circ}\text{C}$ to 85°C for CL-XFP-SR-300i

PARAMETER	SYMBOL	MIN	TYP.	MAX	UNITS	NOTE
Operating Data Rate			9.95/ 10.51875		Gbps	
Input Reference Clock Rate			1/64 Operating Data Rate			
Output Optical Power (50/125 μm fiber, NA=0.20) (62.5/125 μm fiber, NA=0.275)	P_{out}	-7.1	---	-1	dBm	
Optical Modulation Amplitude (OMA)	OMA	---	---	---	dBm	Refer to IEEE 802.3ae Table 52-3
Extinction Ratio	ER	3			dB	
Center Wavelength	λ_c	840		860	nm	
Spectral Width (RMS)	$\Delta\lambda$	---	---	---	nm	Refer to IEEE 802.3ae Table 52-8
Relative Intensity Noise	RIN	---	---	-128	dB/Hz	
Output Eye			Compliant with IEEE802.3ae			
Differential Input Voltage	V_{DIFF}	0.25	---	1.0	V	
TX_DISABLE Assert Time	t_{off}	---	---	10	μs	
TX_DISABLE Negate Time	t_{on}	---	---	2	ms	
Time to initialize	t_{init}	---	---	300	ms	
Interrupt assert delay	$\overline{\text{Interrupt}}_{on}$	---	---	200	ms	



RoHS compliant
850 nm Multi-mode XFP Transceiver
10GFC 1200-MX-SN-I(Fiber Channel), 10GBASE-SR(Ethernet)
OC-192,STM-64 application

Interrupt negate delay	$\overline{\text{Interrupt_off}}$	---	---	500	μs
P_Down/RST assert delay	P_Down/RST_on			100	μs
Mod_NR assert delay	Mod_nr_on			1	ms
Mod_NR negate delay	Mod_nr_off			1	ms
P-Down reset time		10			μs
RX_LOS assert delay	t_loss_on			100	μs
RX_LOS negate delay	t_loss_off			100	μs



RoHS compliant
 850 nm Multi-mode XFP Transceiver
 10GFC 1200-MX-SN-I(Fiber Channel), 10GBASE-SR(Ethernet)
 OC-192,STM-64 application

Receiver Electro-optical Characteristics

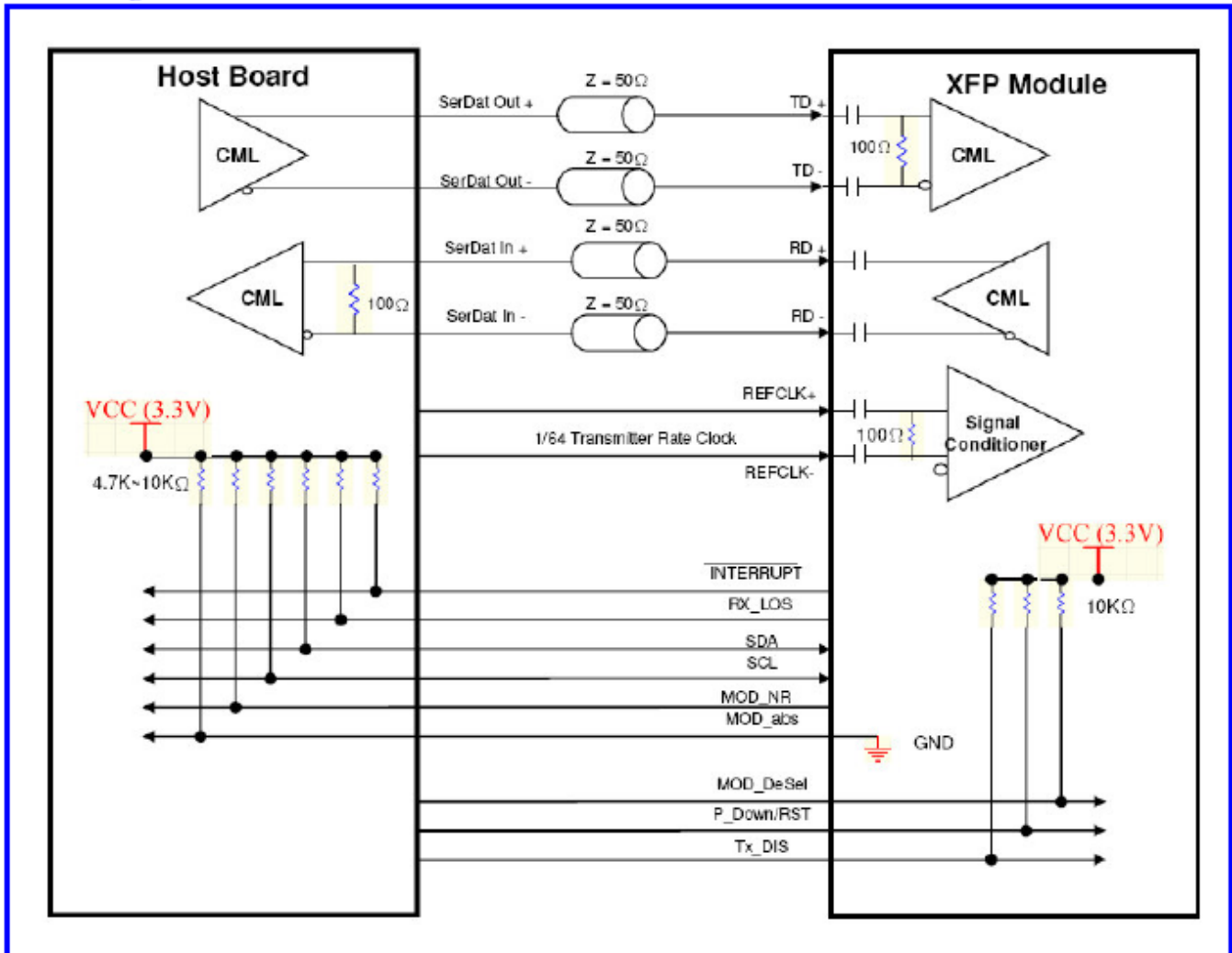
$V_{cc} = 3.1 \text{ V to } 3.5 \text{ V}$, $T_c = -10 \text{ }^\circ\text{C to } 70 \text{ }^\circ\text{C}$ for CL-XFP-SR-300 & $T_c = -10 \text{ }^\circ\text{C to } 85 \text{ }^\circ\text{C}$ for CL-XFP-SR-300i

PARAMETER	SYMBOL	MIN	TYP.	MAX	UNITS	NOTE
Optical Input Power-maximum	P_{IN}	-1	---	---	dBm	BER < 10^{-12}
Receiver Sensitivity	P_{IN}	---	---	-9.9	dBm	BER < 10^{-12}
Receiver Sensitivity in OMA	P_{IN}	---	---	-11.1	dBm	BER < 10^{-12}
Operating Center Wavelength	λ_C	840	---	860	nm	
Optical Return Loss	ORL	12	---	---	dB	
Loss of Signal-Asserted	P_A	---	---	-20	dBm	
Loss of Signal-Deasserted	P_D	-12	---	---	dBm	
Differential Output Voltage	V_{DIFF}	0.575	---	0.725	V	
TTL Input High Voltage		2		V_{cc}	V	
TTL Input Low Voltage		0		0.8	V	
TTL Output High Voltage		2.4	---	V_{cc}	V	
TTL Output Low Voltage		0	---	0.4	V	
Receiver Loss of Signal Assert Time (off to on)	t_{A,RX_LOS}	---	---	100	μs	
Receiver Loss of Signal Assert Time (on to off)	t_{D,RX_LOS}	---	---	100	μs	
I2C Clock Frequency	f _{SCL}			400	kHz	



RoHS compliant
 850 nm Multi-mode XFP Transceiver
 10GFC 1200-MX-SN-I(Fiber Channel), 10GBASE-SR(Ethernet)
 OC-192,STM-64 application

Block Diagram of Transceiver



MOD_NR

The Mod_NR is an output pin that when High, indicates that the module has detected a condition that renders transmitter and or receiver data invalid, shall consist of logical OR of the following signals:

- Transmit Signal Conditioner Loss of Lock
- Transmitter Laser Fault
- Receiver Signal Conditioner Loss of Lock



RoHS compliant
850 nm Multi-mode XFP Transceiver
10GFC 1200-MX-SN-I(Fiber Channel), 10GBASE-SR(Ethernet)
OC-192,STM-64 application

MOD_DESEL

The Mod_DeSel is an input pin. When held Low by the host, the module responds to 2-wire serial communication commands. The Mod_DeSel allows the use of multiple XFP modules on a single 2-wire interface bus. When the Mod_DeSel pin is “High”, the module shall not respond to or acknowledge any 2-wire interface communication from the host.

INTERRUPT

Interrupt is an output pin. When “Low”, indicates possible module operational fault or a status critical to the host system.

TX_DIS

TX_DIS is an input pin. When TX_DIS is asserted High, the XFP module transmitter output must be turned off.

MOD_ABS

Mod_ABS is pulled up to Host_Vcc on the host board and grounded in the XFP module. Mod_ABS is then asserted “High” when the XFP module is physically absent from a host slot.

RX_LOS

The RX_LOS when High indicates insufficient optical power for reliable signal reception.

P_Down/RST

This is a multifunction pin for module Power Down and Reset. The P_Down/RST pin must be pulled up to VCC3 in the XFP module.

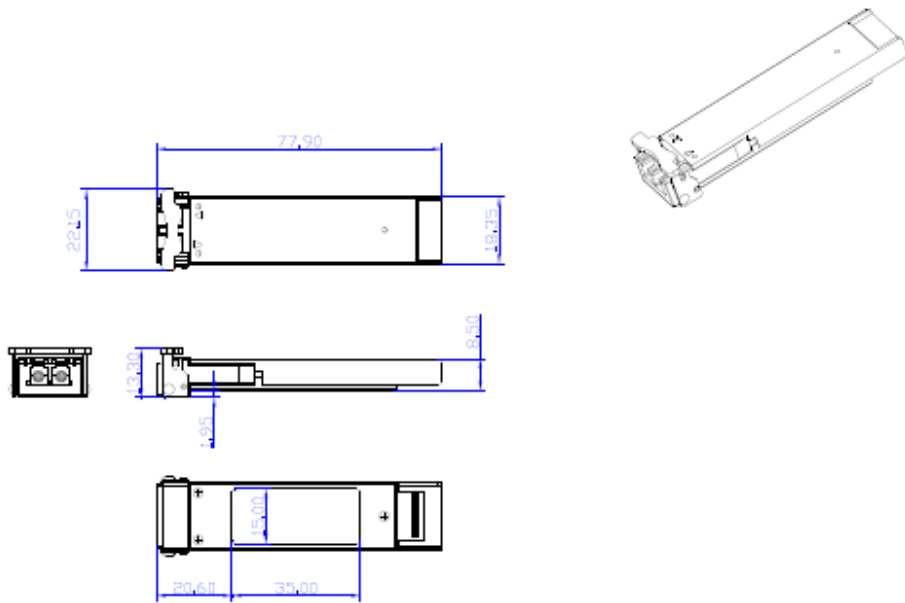
POWER DOWN FUNCTION

The P_Down pin, when held High by the host, places the module in the standby (Low Power) mode with a maximum power dissipation of 1.5W. This protects hosts which are not capable of cooling higher power modules which may be accidentally inserted.



RoHS compliant
850 nm Multi-mode XFP Transceiver
10GFC 1200-MX-SN-I(Fiber Channel), 10GBASE-SR(Ethernet)
OC-192,STM-64 application

Dimensions



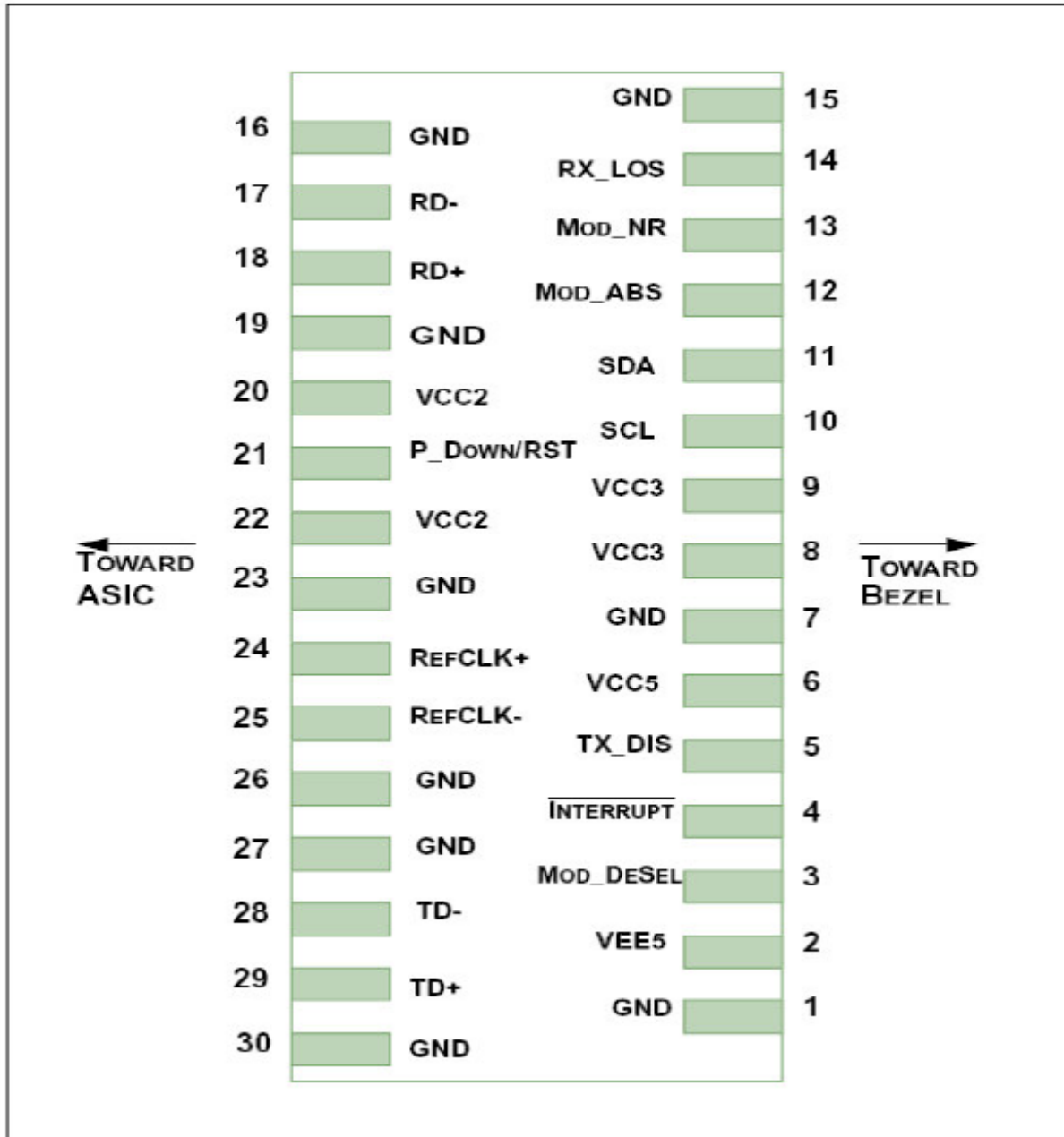
DIMENSIONS ARE IN MILLIMETERS
ALL DIMENSIONS ARE ± 0.2 mm UNLESS OTHERWISE SPECIFIED

WWW.CARELINK.COM.HK



RoHS compliant
850 nm Multi-mode XFP Transceiver
10GFC 1200-MX-SN-I(Fiber Channel), 10GBASE-SR(Ethernet)
OC-192,STM-64 application

Pin Assignment





RoHS compliant
850 nm Multi-mode XFP Transceiver
10GFC 1200-MX-SN-I(Fiber Channel), 10GBASE-SR(Ethernet)
OC-192,STM-64 application

<i>Pin</i>	<i>Logic</i>	<i>Symbol</i>	<i>Name/Description</i>	<i>Note</i>
1		GND	Module Ground	1
2		VEE5	Optional -5.2V Power Supply	
3	LVTTL-I	Mod_DeSel	Module De-select; When held low allows module to respond to 2-wire serial interface	
4	LVTTL-O	Interrupt	Interrupt; Indicates presence of an important condition which can be read over the 2-wire serial interface	2
5	LVTTL-I	TX_DIS	Transmitter Disable; Turns off transmitter laser output	
6		VCC5	+5V Power Supply	
7		GND	Module Ground	1
8		VCC3	+3.3V Power Supply	
9		VCC3	+3.3V Power Supply	
10	LVTTL-I/O	SCL	2-Wire Serial Interface Clock	2
11	LVTTL-I/O	SDA	2-Wire Serial Interface Data Line	2
12	LVTTL-O	Mod_Abs	Indicates Module is not present. Grounded in the Module	2
13	LVTTL-O	Mod_NR	Module Not Ready; Indicating Module Operational Fault	2
14	LVTTL-O	RX_LOS	Receiver Loss Of Signal Indicator	2
15		GND	Module Ground	1
16		GND	Module Ground	1
17	CML-O	RD-	Receiver Inverted Data Output	
18	CML-O	RD+	Receiver Non-Inverted Data Output	
19		GND	Module Ground	1
20		VCC2	+1.8V Power Supply	3
21	LVTTL-I	P_Down/RST	Power down; When high, requires the module to limit power consumption to 1.5W or below. 2-Wire serial interface must be functional in the low power mode. Reset; The falling edge initiates a complete reset of the module including the 2-wire serial interface, equivalent to a power cycle.	
22		VCC2	+1.8V Power Supply	3
23		GND	Module Ground	1
24	PECL-I	RefCLK+	Reference Clock Non-Inverted Input, AC coupled on the host board	
25	PECL-I	RefCLK-	Reference Clock Inverted Input, AC coupled on the host board	
26		GND	Module Ground	1
27		GND	Module Ground	1
28	CML-I	TD-	Transmitter Inverted Data Input	
29	CML-I	TD+	Transmitter Non-Inverted Data Input	
30		GND	Module Ground	1

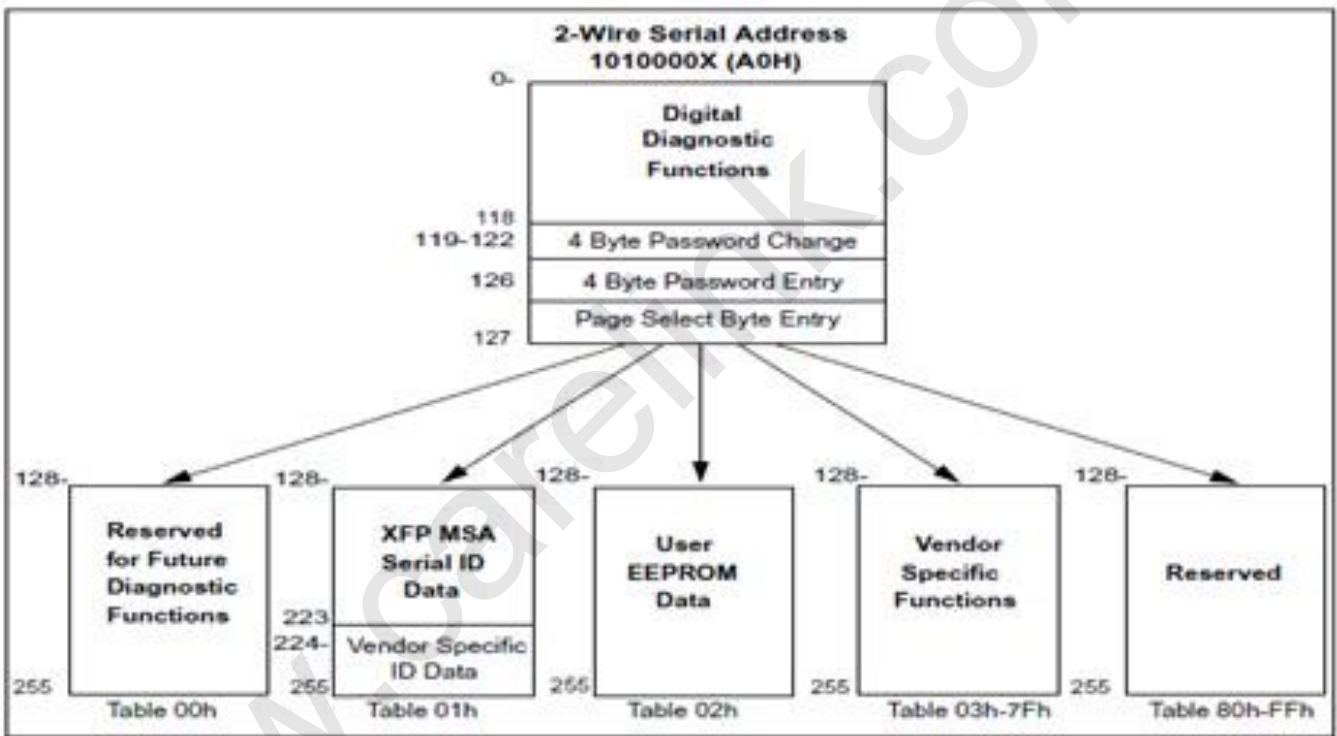
1. Module ground pins Gnd are isolated from the module case and chassis ground within the module.
2. Shall be pulled up with 4.7K-10Kohms to a voltage between 3.15V and 3.45V on the host board.
3. The 1.8 V power supply can be optionally programmed to voltages lower than 1.8 V in modules supporting the variable power supply.



RoHS compliant
850 nm Multi-mode XFP Transceiver
10GFC 1200-MX-SN-I(Fiber Channel), 10GBASE-SR(Ethernet)
OC-192,STM-64 application

EEPROM Information

EEPROM memory map specific data field description is as below:





RoHS compliant
850 nm Multi-mode XFP Transceiver
10GFC 1200-MX-SN-I(Fiber Channel), 10GBASE-SR(Ethernet)
OC-192,STM-64 application

Eye Safety Mark

The LM2 series multi-mode transceiver is a class 1 laser product. It complies with EN 60825-1 and FDA 21 CFR 1040.10 and 1040.11. In order to meet laser safety requirements the transceiver shall be operated within the Absolute Maximum Ratings.

Caution

All adjustments have been done at the factory before the shipment of the devices. No maintenance and user serviceable part is required. Tampering with and modifying the performance of the device will result in voided product warranty.

Required Mark

Class 1 Laser Product
Complies with
21 CFR 1040.10 and 1040.11

Note : All information contained in this document is subject to change without notice.

www.carelink.com