



RoHS compliant
1310 nm Single-mode XFP Transceiver
10GFC 1200-SM-LL-L(Fiber Channel), 10GBASE-LW/LR(Ethernet)

Features



- Duplex LC connector
- Hot-pluggable XFP footprint
- 1310nm DFB laser
- RoHS compliant and Lead Free
- Up to 10KM for single mode fiber
- Metal enclosure for lower EMI
- +3.3V power supply and power dissipation <1.5W
- XFP MSA INF-8077I Compliant
- Compliant with IEEE 802.3ae

Applications

- 10GBASE-LR/LW
- 10G Fibre Channel

Ordering Information

PART NUMBER	INPUT/OUTPUT	SIGNAL DETECT	VOLTAGE	TEMPERATURE
CL-XFP-LR-10	AC/AC	TTL	3.3V	-5°C to 70 °C
CL-XFP-LR-10e	AC/AC	TTL	3.3V	-30°C to 70 °C
CL-XFP-LR-10i	AC/AC	TTL	3.3V	-40°C to 85 °C

General

Carelink's CL-XFP-LR-10 Small Form Factor 10Gb/s XFP transceivers are compatible with XFP MSA Specification .It is designed for use in 10G-Gigabit links up to 10km of G.652. Digital diagnostics functions are available via a 2-wire serial interface, as specified in the XFP MSA.



RoHS compliant
1310 nm Single-mode XFP Transceiver
10GFC 1200-SM-LL-L(Fiber Channel), 10GBASE-LW/LR(Ethernet)

Regulatory Compliance

- ESD to the Electrical PINs: compatible with MIL-STD-883 Method 3015
- ESD to the Duplex LC Receptacle: compatible with IEC 61000-4-2
- Immunity compatible with IEC 61000-4-3
- EMI compatible with FCC Part 15 Class B EN55022 Class B (CISPR 22B) VCCI Class B
- Laser Eye Safety compatible with FDA 21CFR 1040.10 and 1040.11 EN60950, EN (IEC) 60825-1,2
- RoHS compliant with RoHS 2 (2011/65/EU)

Pin Descriptions

Pin	Symbol	Name/Description	Ref.
1	GND	Module Ground	
2	VEE5	Optional-5.2 Power Supply-not required	
3	MOD_DESEL	Module De-select; When held low allows the module to respond to 2-wire serial interface. LVTTTL-I	
4	/INTERRUPT	Interrupt; Indicates presence of an important condition which can be read via the 2-wire serial interface. LVTTTL-O	2
5	TX_DIS	Transmitter Disable. Logic1 indicates laser output disabled, LVTTTL-I	
6	VCC5	+5V Power Supply	
7	GND	Module Ground	1
8	VCC3	+3.3V Power Supply	
9	VCC3	+3.3V Power Supply	
10	SCL	2-Wire Serial Interface Clock. LVTTTL-I	2
11	SDA	2-Wire Serial Interface Data Line. LVTTTL-I/O	2



RoHS compliant
1310 nm Single-mode XFP Transceiver
10GFC 1200-SM-LL-L(Fiber Channel), 10GBASE-LW/LR(Ethernet)

12	MOD_Abs	Indicates Module is not present. Grounded in the Module. LVTTTL-O	2
13	MOD_NR	Module Not Ready; Indicating Module Operational Fault. Open-collector. LVTTTL-O	2
14	RX_LOS	Loss of Signal indication. Logic 1 indicates loss of Signal. Open-collector. LVTTTL-O	2
15	GND	Module Ground	1
16	GND	Module Ground	1
17	RD-	Receiver Inverted Data Output. CML-O	
18	RD+	Receiver Non-Inverted Data Output. CML-O	
19	GND	Module Ground	1
20	VCC2	+1.8V Power Supply (Not required).	3
21	P_DOWN/R ST	Power down; When high, requires the module to limit power consumption to 1.5W or below. 2-Wire serial interface must be functional in the low power mode. LVTTTL-I	
		Reset; The falling edge initiates a complete reset of the module including the 2-wire serial interface, equivalent to a power cycle. LVTTTL-I	
22	VCC2	+1.8V Power Supply (Not required)	3
23	GND	Module Ground	1
24	REFCLK+	Reference Clock (Not required)	
25	REFCLK-	Reference Clock (Not required)	
26	GND	Module Ground	1
27	GND	Module Ground	1
28	TD-	Transmitter Inverted Data Input. CML-I	
29	TD+	Transmitter Non-Inverted Data Input. CML-I	
30	GND	Module Ground	1

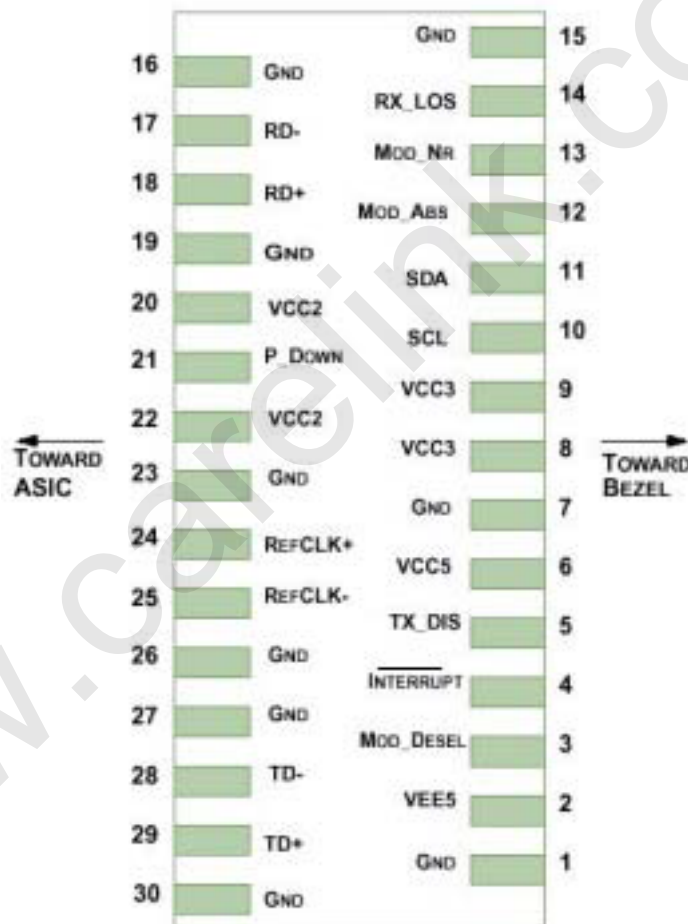


RoHS compliant
1310 nm Single-mode XFP Transceiver
10GFC 1200-SM-LL-L(Fiber Channel), 10GBASE-LW/LR(Ethernet)

Notes:

1. Module ground pins GND are isolated from the module case and chassis ground within the module.
2. Open collector, Should be pulled up with 4.7K-10Kohms to a voltage between 3.15V and 3.6V on the host board.
3. The pins are open within module.

Pin-out Connector Block on Host Board

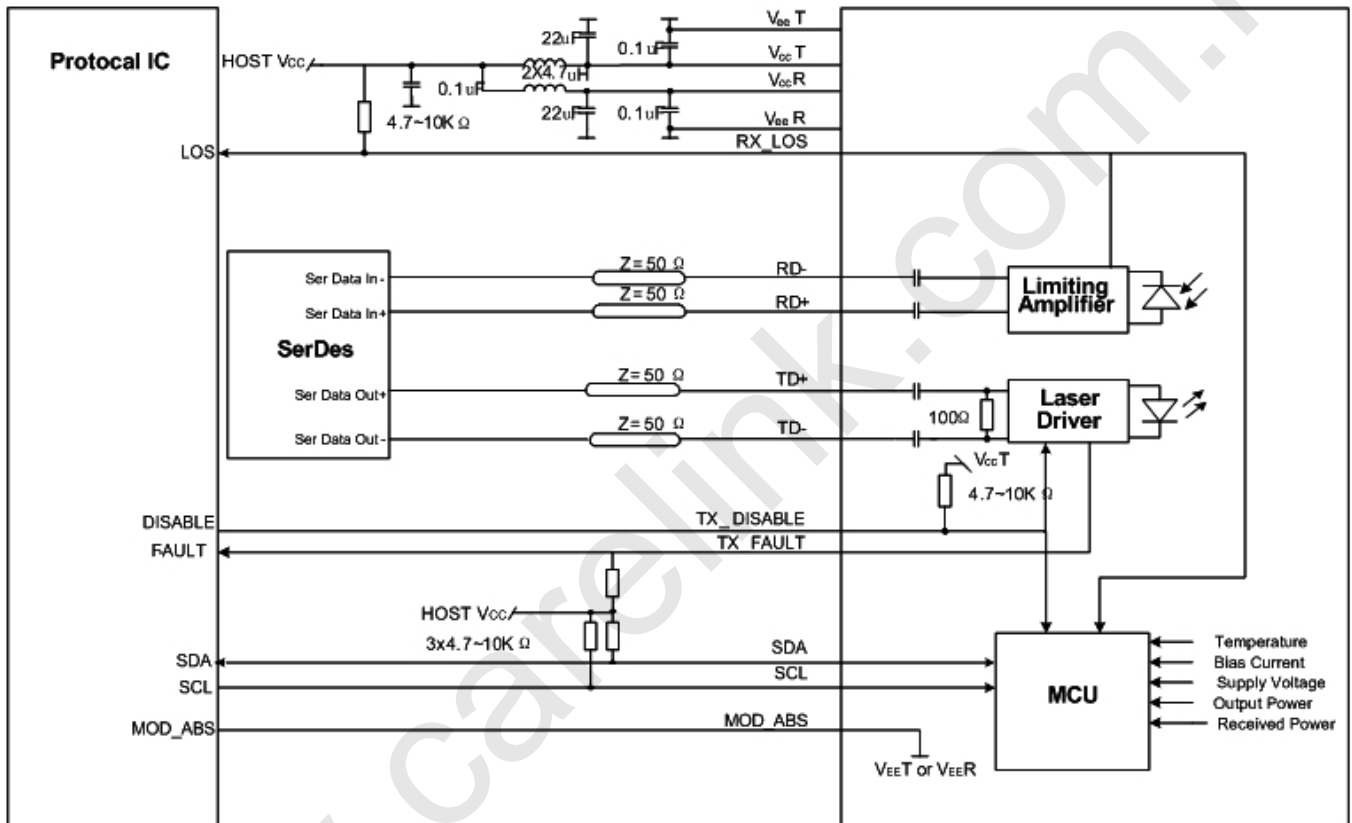


Pin-out of Connector Block on Host Board



RoHS compliant
 1310 nm Single-mode XFP Transceiver
 10GFC 1200-SM-LL-L(Fiber Channel), 10GBASE-LW/LR(Ethernet)

Recommend Circuit Schematic



Absolute Maximum Ratings

Parameter	Symbol	Min	Typ	Max	Unit	Ref.
Maximum Supply Voltage	Vcc3	-0.5		+4.0	V	
Storage Temperature	TS	-40		+85	°C	
Operating Humidity	RH	0		85	%	



RoHS compliant
1310 nm Single-mode XFP Transceiver
10GFC 1200-SM-LL-L(Fiber Channel), 10GBASE-LW/LR(Ethernet)

Recommended Operating Conditions

Parameter	Symbol	Min	Typ	Max	Unit	Ref.
Power Supply Voltage	Vcc3	3.13	3.30	3.47	V	
Power Supply Current	Icc3			450	mA	
Case Operating Temperature	Tc	-5		+70	°C	Commercial
	Te	-30		+70		Extended
	Tl	-40		+85		Industrial
Bit Rate	Br		10.3		Gbps	
9/125um G.652 SMF	Lmax			10	Km	

Electrical Characteristics (TOP=25°C, Vcc=3.3Volts)

Parameter	Symbol	Min	Typ	Max	Unit	Ref.
Transmitter						
Input differential impedance	Rin	80	100	120	Ω	1
Differential data input swing	Vin, pp	120		850	mV	
TX Disable-High		Vcc – 0.8		Vcc	V	
TX Disable-Low		Vee		Vee+ 0.8	V	
TX Fault-High		Vcc-0.8		Vcc	V	
TX Fault-Low		Vee		Vee+0.8	V	
Receiver						
Single ended data output swing	Vout, pp	300		850	mV	2
Data output rise time	Tr	30			ps	3
Data output fall time	Tf	30			ps	3



RoHS compliant
1310 nm Single-mode XFP Transceiver
10GFC 1200-SM-LL-L(Fiber Channel), 10GBASE-LW/LR(Ethernet)

LOS-High		Vcc – 0.8		Vcc	V	
LOS-Low		Vee		Vee+0.8	V	

Notes:

1. AC coupled.
2. Into 100 ohm differential termination.
3. 20 – 80 %

Optical Characteristics (TOP=25°C, Vcc=3.3 Volts)

Parameter	Symbol	Min	Typ	Max	Unit	Ref.
Transmitter						
Output Opt. Power	PO	-5		-1	dBm	
Optical Wavelength	λ	1260		1355	nm	
Side Mode Suppression Ratio	SMSR	30			dB	
Spectral Width (-20dB)	$\Delta\lambda$			1	nm	
Optical Extinction Ratio	ER	3.5			dB	
Average Launch power of OFF TX	Poff			-40	dBm	
Receiver						
RX Sensitivity @10.3Gb/s	SENS			-14.4	dBm	1,2
Receiver Overload		0.5			dBm	
Optical Center Wavelength	λ_C	1260		1610	nm	
LOS De-Assert	LOSD			-15	dBm	
LOS Assert	LOSA	-30			dBm	
LOS Hysteresis		0.5			dB	

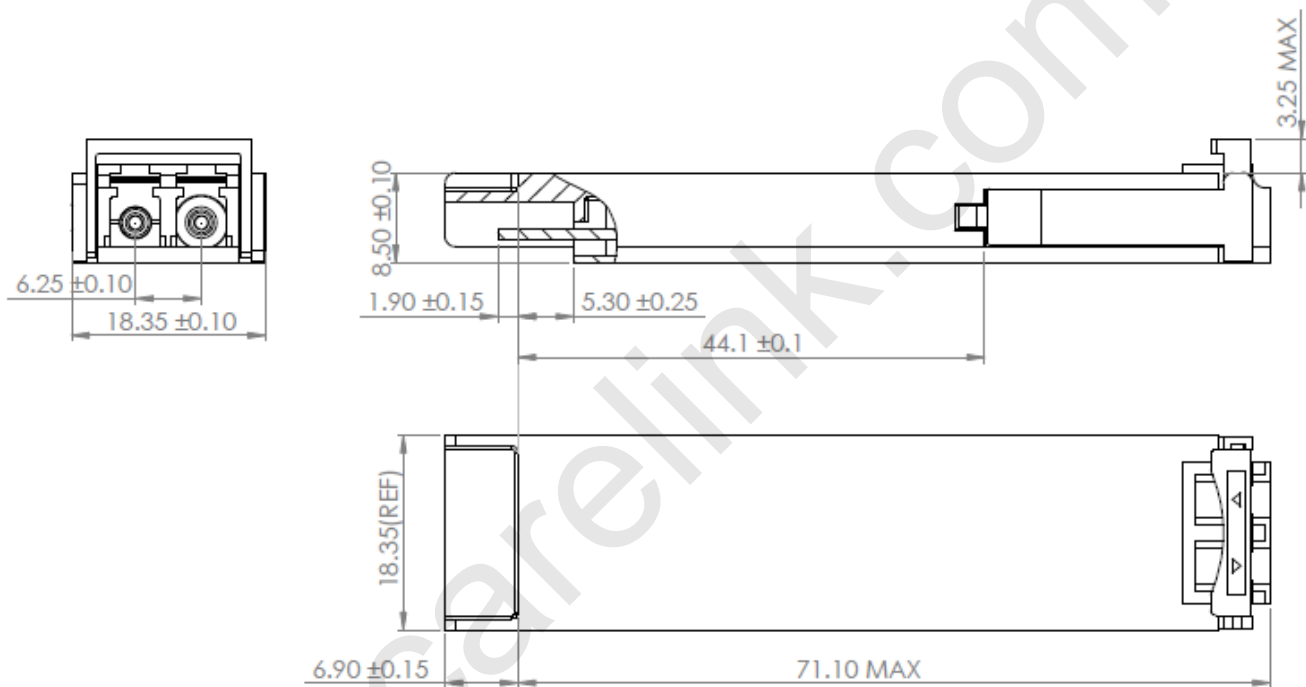
Notes:

1. Measured with conformance signals defined in FC-PI-2 Rev. 10.0 specifications.
2. Measured with PRBS 2₃₁-1 at 10⁻¹² BER.



RoHS compliant
1310 nm Single-mode XFP Transceiver
10GFC 1200-SM-LL-L(Fiber Channel), 10GBASE-LW/LR(Ethernet)

Mechanical Specifications

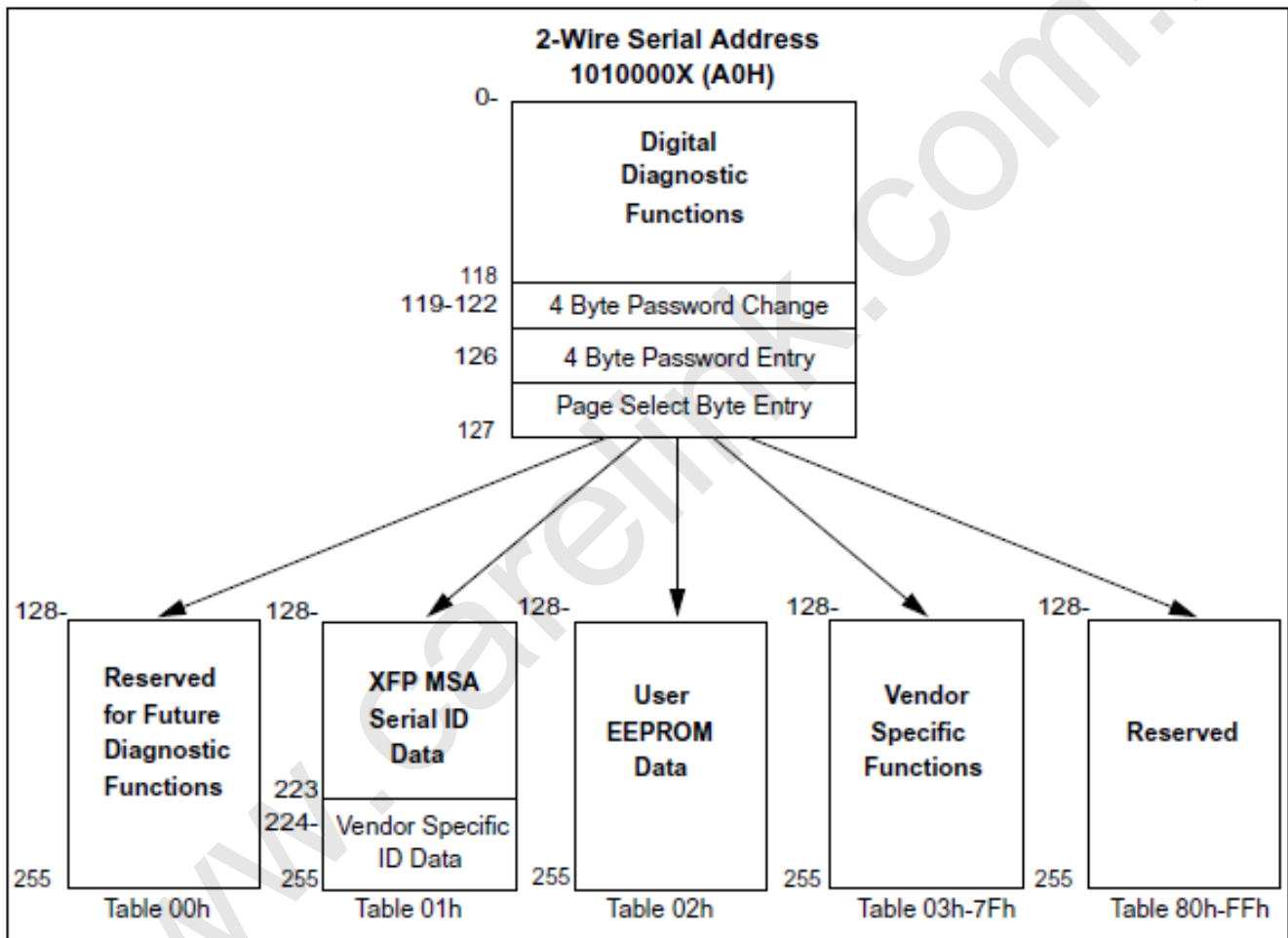




RoHS compliant
1310 nm Single-mode XFP Transceiver
10GFC 1200-SM-LL-L(Fiber Channel), 10GBASE-LW/LR(Ethernet)

EEPROM Information

EEPROM memory map specific data field description is as below:





RoHS compliant
1310 nm Single-mode XFP Transceiver
10GFC 1200-SM-LL-L(Fiber Channel), 10GBASE-LW/LR(Ethernet)

Digital Diagnostic Monitoring Interface

Five transceiver parameter values are monitored. The following table defines the monitored parameter's accuracy.

Parameter	Range	Accuracy	Calibration
Temperature	-5 to +70°C (C)	±3°C	Internal
	-40 to +85°C (I)		
Voltage	2.97 to 3.63V	±3%	Internal
Bias Current	0 to 100mA	±10%	Internal
TX Power	-6 to -1dBm	±3dB	Internal
RX Power	-14.4 to 0.5dBm	±3dB	Internal