



RoHS compliant
Small Form Pluggable (SFP+)
SFP+ CWDM 20KM Optical Transceivers

Product Features



- X 10Gb/s serial optical interface compliant to 802.3ae 10GBASE-LR
- X Electrical interface compliant to SFF-8431 SFP+ MSA
- X 2-wire interface for management specifications compliant with SFF- 8472
- X LAN CWDM Grid
1271/1291/1311/1331/1351/1371/1391/
1411/1431/1451/1471/1491nm center wavelength with 20nm spacing
- X Operating case temperature: CL-SFP+_C20-XX °C to 70°C CL-SFP+_C20-XX, -5 °C to 85°C CL-SFP+_C20-2XXi, -40 °C to 85°C
- X Advanced firmware allow customer system encryption information to be stored in transceiver
- X Cost effective SFP+ solution, enables higher port density and greater bandwidth
- X RoHS compliant

Applications

- X 4G LTE wireless backhauls
- X Data Center interconnects
- X High speed point-to-point links

Ordering Information

PART NUMBER	TX/RX	INPUT/OUTPUT	SIGNAL DETECT	TEMPERATURE	PACKAGE	Distance
CL-SFP+_C20-XX		AC/AC	TTL	-5°C to 70 °C	LC SFP +	20km
CL-SFP+_C20-XXi		AC/AC	TTL	-40°C to 85 °C	LC SFP +	20km



RoHS compliant
Small Form Pluggable (SFP+)
SFP+ CWDM 20KM Optical Transceivers

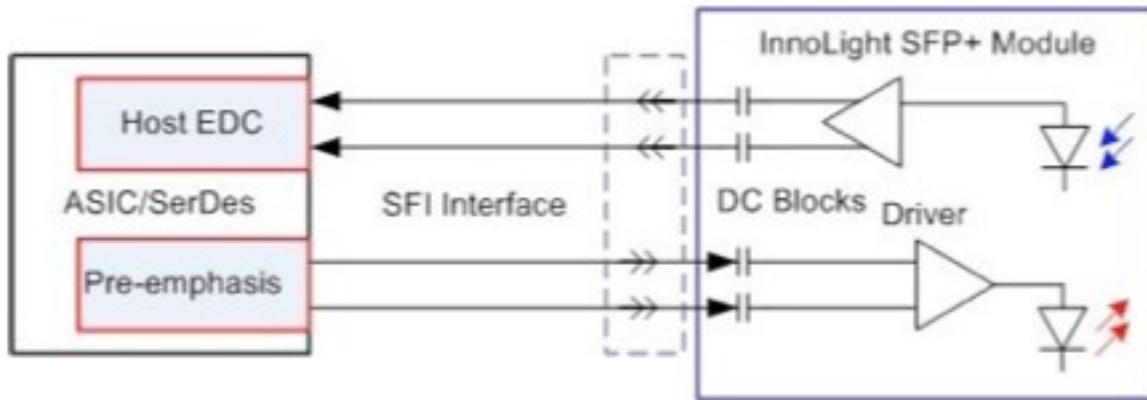


Figure1: Application in System

Description

This SFP+ CWDM transceiver is designed to transmit and receive optical data over single mode optical fiber for link length 20km.

The SFP+ CWDM module electrical interface is compliant to SFI electrical specifications. The transmitter input and receiver output impedance is 100 Ohms differential. Data lines are internally AC coupled. The module provides differential termination and reduce differential to common mode conversion for quality signal termination and low EMI. SFI typically operates over 200 mm of improved FR4 material or up to about 150mm of standard FR4 with one connector.

The transmitter converts up to 10 Gb/s serial PECL or CML electrical data into serial optical data compliant with the 10GBASE-LR standard. An open collector compatible Transmit Disable (Tx_Dis) is provided. A logic "1," or no connection on this pin will disable the laser from transmitting. A logic "0" on this pin provides normal operation. The transmitter has an internal automatic power control loop (APC) to ensure constant optical power output across supply voltage and temperature variations. An open collector compatible Transmit Fault (Tx_Fault) is provided. TX_Fault is a module output contact that when high, indicates that the module transmitter has detected a fault condition related to laser operation or safety. The TX_Fault output contact is an open drain/collector and shall be pulled up to the Vcc_Host in the host with a resistor in the range 4.7-10 kΩ. TX_Disable is a module input contact. When TX_Disable is asserted high or left open, the SFP+ module transmitter output shall be turned off. This contact shall be pulled up to VccT with a 4.7 kΩ to 10 kΩ resistor

The receiver converts up to 10G/s serial optical data into serial PECL/CML electrical data. An open collector compatible Loss of Signal is provided. Rx_LOS when high indicates an optical signal level below that specified in the relevant standard. The Rx_LOS contact is an open drain/collector output and shall be pulled up to Vcc_Host in the host with a resistor in the range 4.7-10 kΩ, or with an active termination. Power supply filtering is recommended for both the transmitter and receiver. The Rx_LOS signal is intended as a preliminary indication to the system in which the SFP+ is installed that the received signal strength is below the specified range. Such an indication typically points to non-installed cables, broken cables, or a disabled, failing or a powered off transmitter at the far end of the cable.



**RoHS compliant
Small Form Pluggable (SFP+)
SFP+ CWDM 20KM Optical Transceivers**

PIN DEFINITION

The SFP+ modules are hot-pluggable. Hot pluggable refers to plugging in or unplugging a module while the host board is powered. The SFP+ host connector is a 0.8 mm pitch 20 position right angle improved connector specified by SFF-8083, or stacked connector with equivalent with equivalent electrical performance. Host PCB contact assignment is shown in Figure 2 and contact definitions are given in the Pin Description table. SFP+ module contacts mates with the host in the order of ground, power, followed by signal as illustrated by Figure 3 and the contact sequence order listed in the Pin Description table.

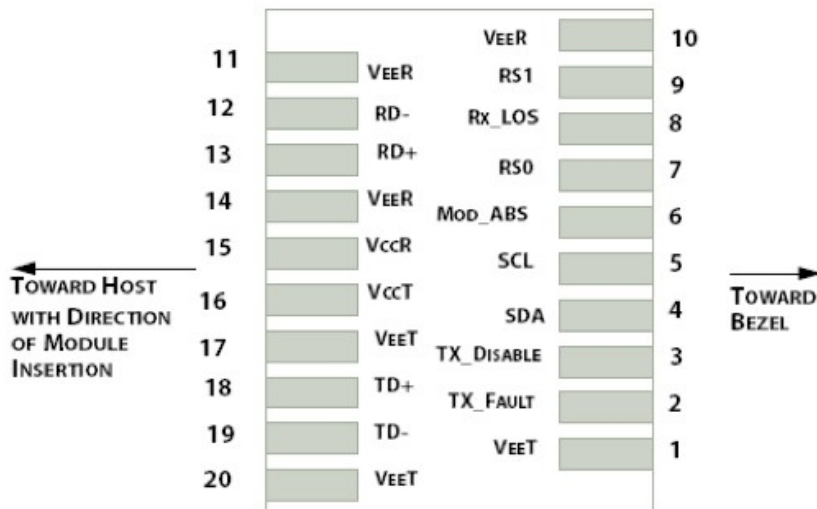


Figure 2: Module Interface to Host

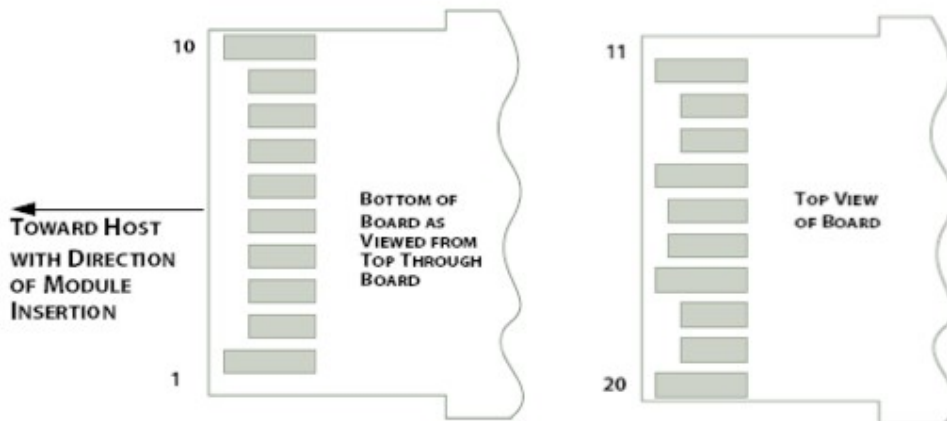


Figure 3: Module Contact Assignment



RoHS compliant
Small Form Pluggable (SFP+)
SFP+ CWDM 20KM Optical Transceivers

Pin Description

PIN	Logic	Symbol	Name / Description	Note
1		VeeT	Module Transmitter Ground	1
2	LVTTL-O	TX_Fault	Module Transmitter Fault	
3	LVTTL-I	TX_Dis	Transmitter Disable; Turns off transmitter laser output	
4	LVTTL-I/O	SDA	2-Wire Serial Interface Data Line	2
5	LVTTL-I	SCL	2-Wire Serial Interface Clock	2
6		MOD_ABS	Module Definition, Grounded in the module	
7	LVTTL-I	RS0	Receiver Rate Select	
8	LVTTL-O	RX_LOS	Receiver Loss of Signal Indication Active LOW	2
9	LVTTL-I	RS1	Transmitter Rate Select	
10		VeeR	Module Receiver Ground	1
11		VeeR	Module Receiver Ground	1
12	CML-O	RD-	Receiver Inverted Data Output	
13	CML-O	RD+	Receiver Data Output	
14		VeeR	Module Receiver Ground	1
15		VccR	Module Receiver 3.3 V Supply	
16		VccT	Module Receiver 3.3 V Supply	
17		VeeT	Module Transmitter Ground	1
18	CML-I	TD+	Transmitter Non-Inverted Data Input	
19	CML-I	TD-	Transmitter Inverted Data Input	
20		VeeT	Module Transmitter Ground	1

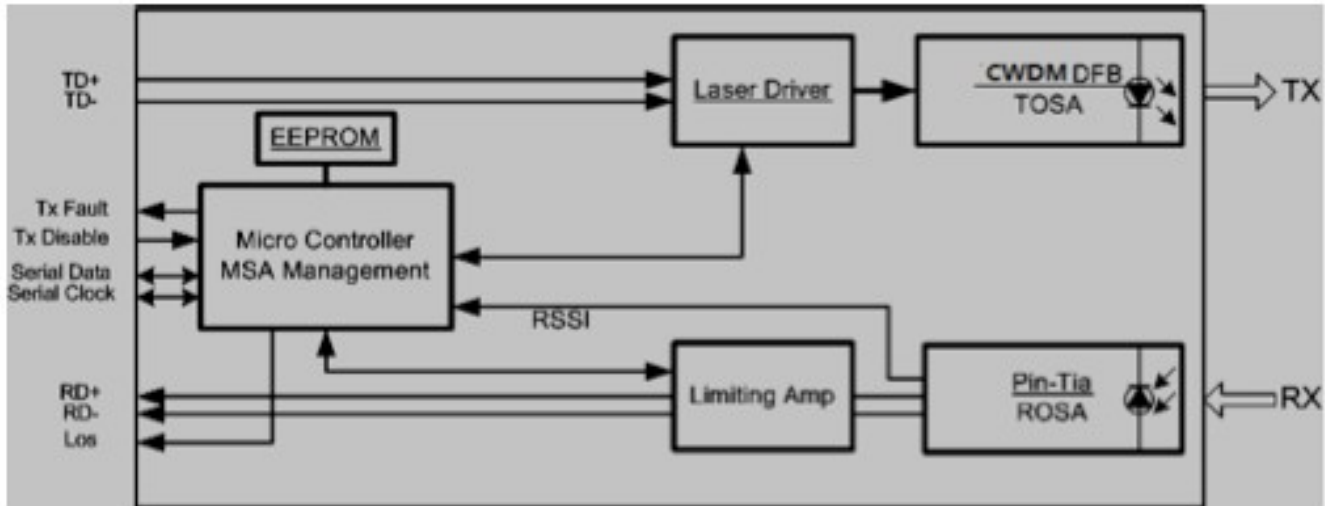
Note: 1. Module ground pins GND are isolated from the module case.

2. Shall be pulled up with 4.7K-10Kohms to a voltage between 3.15V and 3.45V on the host board.



**RoHS compliant
Small Form Pluggable (SFP+)
SFP+ CWDM 20KM Optical Transceivers**

TRANSCEIVER BLOCK DIAGRAM



ABSOLUTE MAXIMUM RATING

These values represent the damage threshold of the module. Stress in excess of any of the individual Absolute Maximum Ratings can cause immediate catastrophic damage to the module even if all other parameters are within Recommended Operating Conditions.

Parameters	Symbol	Min.	Max.	Unit	
Power Supply Voltage	VCC	0	3.6	V	
Storage Temperature	Tc	-40	85	°C	
Operating Case temperature	N	0	70		
	M	Tc:	-5	85	°C
	V		-40	85	
Relative Humidity	RH	5	95	%	
RX Input Average Power	Pmax	-	0	dBm	



**RoHS compliant
Small Form Pluggable (SFP+)
SFP+ CWDM 20KM Optical Transceivers**

RECOMMENDED OPERATING ENVIRONMENT

Recommended Operating Environment specifies parameters for which the electrical and optical characteristics hold unless otherwise noted.

Parameters	Symbol	Min.	Typical	Max	Unit
Power Supply Voltage	VCC	3.135	3.3	3.465	V
Power Supply Current	Icc			420	mA
Operating Case Temperature	Tc	0		70	°C

OPTICAL CHARACTERISTICS

The following optical characteristics are defined over the Recommended Operating Environment unless otherwise specified.

Parameter	Symbol	Min.	Typical	Max	Unit	Note
Operating Reach		2	10	20	km	
Transmitter						
Center wavelength	λ		Ref order information		nm	
Side Mode Suppression Ratio	SMSR	30			dB	
Optical spectrum width(-20dB)				1	nm	
Launched power	Po	-1		3	dBm	
Launched power in OMA		-3.2			dBm	
Transmitter and dispersion penalty	DP			2	dB	4
Average launch power of OFF transmitter	Poff			-30	dBm	
Extinction ratio	ER	3.5			dB	
RIN	RIN			-128	dB/Hz	
Optical Return Loss Tolerance	RL	12			dB	



**RoHS compliant
Small Form Pluggable (SFP+)
SFP+ CWDM 20KM Optical Transceivers**

Receiver						
Center wavelength	λ	1260	-	1620	nm	
Receiver Overload		0.5			dB	
Receiver Sensitivity	RSEN			-15	dBm	1
Receiver sensitivity in OMA				-14.6	dBm	2
Receiver	Rf			-12	dB	
Reflectance						
Stressed receiver sensitivity in OMA				-12	dBm	
Vertical eye closure penalty				2.2	dB	3
LOS Assert	LOSA	-28			dBm	
LOS De-assert	LOSD			-16	dBm	
LOS Hysteresis		0.5			dB	
Stressed eye jitter		0.3			UI	2
Receive electrical 3dB upper cutoff frequency				12.5	GHz	
Receiver power (damage)				5	dBm	

Notes:

- 1.Average optical power shall be measured using the methods specified in TIA/EIA-455-95.
- 2.Receiver sensitivity is informative. Stressed receiver sensitivity shall be measured with conformance test signal for BER = 1×10^{-12} .
- 3.Vertical eye closure penalty and stressed eye jitter are the test conditions for measuring stressed receiver sensitivity. They are not the required characteristic of the receiver.
- 4.Path penalty is intended as the power penalty of the interface between back-to-back and the maximum applied dispersion.



RoHS compliant
Small Form Pluggable (SFP+)
SFP+ CWDM 20KM Optical Transceivers

DIGITAL DIAGNOSTIC FUNCTIONS

The following digital diagnostic characteristics are defined over the Recommended Operating Environment unless otherwise specified. It is compliant to SFF-8472 Rev10.2 with internal calibration mode. For external calibration mode please contact our sales staff.

Parameter	Symbol	Min.	Max	Unit	Note
Temperature monitor absolute error	DMI_Temp	-3	3	degC	Over operating temp
Laser power monitor absolute error	DMI_TX	-3	3	dB	
RX power monitor absolute error	DMI_RX	-3	3	dB	-1dBm to -15dBm range
Supply voltage monitor absolute error	DMI_VCC	-0.08	0.08	V	Full operating range
Bias current monitor	DMI_Ibias	-10%	10%	mA	



**RoHS compliant
Small Form Pluggable (SFP+)
SFP+ CWDM 20KM Optical Transceivers**

ELECTRICAL CHARACTERISTICS

The following electrical characteristics are defined over the Recommended Operating Environment unless otherwise specified.

Parameter	Symbol	Min.	Typical	Max	Unit	Note
Data Rate		1.25		10.3125	Gb/s	
Power consumption		-	900	1450	mW	
Transmitter						
Single Ended Output Voltage Tolerance		-0.3	-	4	V	
AC common mode voltage tolerance		15	-	-	mV	
Tx Input Diff Voltage	VI	180		700	mV	
Tx Fault Low	Vol	-0.3		0.4	V	
Tx Fault High	Voh	2		VCC	V	
Data Dependent Input Jitter	DDJ			0.1	UI	
Data Input Total Jitter	TJ			0.28	UI	

Receiver						
Single Ended Output Voltage Tolerance		-0.3	-	4	V	
Rx Output Diff Voltage	Vo	300		850	mV	
Rx Output Rise and Fall Time	Tr/Tf	30			ps	20% to 80%
Total Jitter	TJ			0.7	UI	
Deterministic Jitter	DJ			0.42	UI	



RoHS compliant
Small Form Pluggable (SFP+)
SFP+ CWDM 20KM Optical Transceivers

CONTROL AND STATUS I/O TIMING CHARACTERISTICS

Timing characteristics of control and status I/O are included in Table 8, which is also defined in SFF-8431.

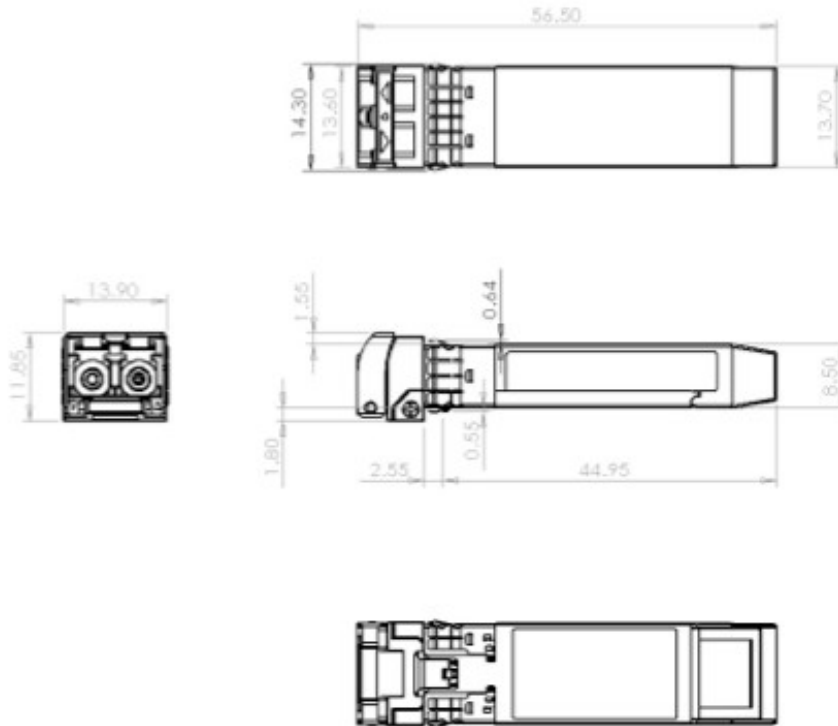
Parameter	Symbol	Min	Max	Unit	Condition
TX Disable Assert Time	t_off		10	μs	Time from rising edge of TX Disable to when the optical output falls below 10% of nominal
TX Disable Negate Time	t_on		1	ms	Time from falling edge of TX Disable to when the modulated optical output rises above 90% of nominal
Time to initialize, including reset of TX_Fault	t_init		300	ms	From power on or negation of TX Fault using TX Disable
TX Fault Assert Time	t_fault		100	μs	Time from fault to TX fault on.
TX Disable to reset	t_reset	10		μs	Time TX Disable must be held high to reset TX_fault
LOS Assert Time	t_loss_on		100	μs	Time from LOS state to RX LOS assert
LOS Deassert Time	t_loss_off		100	μs	Time from non-LOS state to RX LOS deassert
Rate-Select Change Time	t_ratesel		10	μs	Time from rising or falling edge of Rate Select input until receiver bandwidth is in conformance with appropriate specification.
Serial ID Clock Rate	f_serial_clock		100	kHz	



**RoHS compliant
Small Form Pluggable (SFP+)
SFP+ CWDM 20KM Optical Transceivers**

MECHANICAL

Comply to SFF-8432 Rev. 5.0, the improved Pluggable form factor specification.



ESD

This transceiver is specified as ESD threshold 1KV for SFI pins and 2kV for all others electrical input pins, tested per MIL-STD-883, Method 3015.4 /JESD22-A114-A (HBM). However, normal ESD precautions are still required during the handling of this module. This transceiver is shipped in ESD protective packaging. It should be removed from the packaging and handled only in an ESD protected environment.

LASER SAFTY

This is a Class 1 Laser Product according to IEC 60825-1:1993:+A1:1997+A2:2001. This product complies with 21 CFR 1040.10 and 1040.11 except for deviations pursuant to Laser Notice No. 50, dated (June 24, 2007)



**RoHS compliant
Small Form Pluggable (SFP+)
SFP+ CWDM 20KM Optical Transceivers**

Ordering Information

When ordering SFP+ module in the SFP+ product family, a 10-character suffix is used to fully specify the part number. The part number's suffix has 3 separate elements, as explained below.

Wavelength Code	Part Number	Wavelength(nm)
27	CL-SFP+_C20-27	1271
31	CL-SFP+_C20-31	1291
33	CL-SFP+_C20-33	1331
35	CL-SFP+_C20-35	1351
37	CL-SFP+_C20-37	1371
39	CL-SFP+_C20-39	1391
41	CL-SFP+_C20-41	1411
47	CL-SFP+_C20-47	1471
49	CL-SFP+_C20-49	1491