



**RoHS compliant
CWDM Transceiver, 20dB margin
Small Form Pluggable (SFP), 3.3V
1.0625Gbd Fiber Channel/1.25 Gigabit Ethernet**



Features

- Compliant with IEEE802.3z Gigabit Ethernet Standard
- Compliant with Fiber Channel 100-SM-LC-L standard
- Industry standard small form pluggable (SFP) package
- Duplex LC connector
- Differential PECL inputs and outputs
- Single power supply 3.3V
- TTL signal detect indicator
- Hot Pluggable
- Class 1 laser product complies with EN 60825
- Recommended Distance 40 Km

Application

- Distributed multi-processing
- Switch to switch interface
- High speed I/O for file server
- Bus extension application
- Channel extender, data storage

Ordering Information

PART NUMBER	WAVELENGTH	INPUT/OUTPUT	SIGNAL DETECT	VOLTAGE	TEMPERATURE
CL-SFP-C20-L127	1270 nm	AC/AC	TTL	3.3V/5V	0°C to 70 °C
CL-SFP-C20-L129	1290 nm	AC/AC	TTL	3.3V/5V	0°C to 70 °C
CL-SFP-C20-L131	1310 nm	AC/AC	TTL	3.3V/5V	0°C to 70 °C
CL-SFP-C20-L133	1330 nm	AC/AC	TTL	3.3V/5V	0°C to 70 °C
CL-SFP-C20-L135	1350 nm	AC/AC	TTL	3.3V/5V	0°C to 70 °C
CL-SFP-C20-L137	1370 nm	AC/AC	TTL	3.3V/5V	0°C to 70 °C
CL-SFP-C20-L139	1390 nm	AC/AC	TTL	3.3V/5V	0°C to 70 °C
CL-SFP-C20-L141	1410 nm	AC/AC	TTL	3.3V/5V	0°C to 70 °C
CL-SFP-C20-L143	1430 nm	AC/AC	TTL	3.3V/5V	0°C to 70 °C
CL-SFP-C20-L145	1450 nm	AC/AC	TTL	3.3V/5V	0°C to 70 °C



RoHS compliant
CWDM Transceiver, 20dB margin
Small Form Pluggable (SFP), 3.3V
1.0625Gbd Fiber Channel/1.25 Gigabit Ethernet

CL-SFP-C20-L127i	1270 nm	AC/AC	TTL	3.3V/5V	-40°C to 85 °C
CL-SFP-C20-L129i	1290 nm	AC/AC	TTL	3.3V/5V	-40°C to 85 °C
CL-SFP-C20-L131i	1310 nm	AC/AC	TTL	3.3V/5V	-40°C to 85 °C
CL-SFP-C20-L133i	1330 nm	AC/AC	TTL	3.3V/5V	-40°C to 85 °C
CL-SFP-C20-L135i	1350 nm	AC/AC	TTL	3.3V/5V	-40°C to 85 °C
CL-SFP-C20-L137i	1370 nm	AC/AC	TTL	3.3V/5V	-40°C to 85 °C
CL-SFP-C20-L139i	1390 nm	AC/AC	TTL	3.3V/5V	-40°C to 85 °C
CL-SFP-C20-L141i	1410 nm	AC/AC	TTL	3.3V/5V	-40°C to 85 °C
CL-SFP-C20-L143i	1430 nm	AC/AC	TTL	3.3V/5V	-40°C to 85 °C
CL-SFP-C20-L145i	1450 nm	AC/AC	TTL	3.3V/5V	-40°C to 85 °C

Regulatory Compliance

- ESD to the Electrical PINs: compatible with MIL-STD-883 Method 3015
- ESD to the Duplex LC Receptacle: compatible with IEC 61000-4-2
- Immunity compatible with IEC 61000-4-3
- EMI compatible with FCC Part 15 Class B EN55022 Class B (CISPR 22B) VCCI Class B
- Laser Eye Safety compatible with FDA 21CFR 1040.10 and 1040.11 EN60950, EN (IEC) 60825-1,2
- RoHS compliant with 2002/95/EC 4.1&4.2 2005/747/EC

Absolute Maximum Ratings

PARAMETER	SYMBOL	MIN	MAX	UNITS	NOTE
Storage Temperature	T_S	-40	85	°C	
Supply Voltage	V_{CC}	-0.5	4.0	V	
Input Voltage	V_{IN}	-0.5	V_{CC}	V	
Output Current	I_o	---	50	mA	
Operating Current	I_{OP}	---	400	mA	

Recommended Operating Conditions

PARAMETER	SYMBOL	MIN	MAX	UNITS	NOTE
Case Operating Temperature	T_c	0	70	°C	
		-40	85	°C	
Supply Voltage	V_{CC}	3.1	3.5	V	
Supply Current	$I_{TX} + I_{RX}$	---	400	mA	



RoHS compliant
 CWDM Transceiver, 20dB margin
 Small Form Pluggable (SFP), 3.3V
 1.0625Gbd Fiber Channel/1.25 Gigabit Ethernet

Transmitter Electro-optical Characteristics

$V_{CC} = 3.1\text{ V to } 3.5\text{ V}, T_C = 0\text{ }^\circ\text{C to } 70\text{ }^\circ\text{C}$

PARAMETER	SYMBOL	MIN	TYP.	MAX	UNITS	NOTE
Output Optical Power 9/125 μm fiber	P_{out}	-4	-1	+1	dBm	Average
Extinction Ratio	ER	7	---	---	dB	
Central Wavelength (-N27)	λ_C	1264.5	---	1277.5	nm	
Central Wavelength (-N29)		1284.5	---	1297.5	nm	
Central Wavelength (-N31)		1304.5	---	1317.5	nm	
Central Wavelength (-N33)		1324.5	---	1337.5	nm	
Central Wavelength (-N35)		1344.5	---	1357.5	nm	
Central Wavelength (-N37)		1364.5	---	1377.5	nm	
Central Wavelength (-N39)		1384.5	---	1397.5	nm	
Central Wavelength (-N41)		1404.5	---	1417.5	nm	
Central Wavelength (-N43)		1424.5	---	1437.5	nm	
Central Wavelength (-N45)		1444.5	---	1457.5	nm	
Spectral Width (-20dB)	$\Delta\lambda$	---	---	1	nm	
Side Mode Suppression Ratio	$SMSR$	30	---	---	dB	
Rise/Fall Time, (20–80%)	$T_{r,f}$	---	---	260	ps	
Relative Intensity Noise	RIN	---	---	-120	dB/Hz	
Total Jitter	TJ	---	---	227	ps	
Output Eye	Compliant with IEEE802.3z					
Max. P_{out} TX-DISABLE Asserted	P_{OFF}	---	---	-45	dBm	
Differential Input Voltage	V_{DIFF}	0.4	---	2.0	V	



RoHS compliant
CWDM Transceiver, 20dB margin
Small Form Pluggable (SFP), 3.3V
1.0625Gbd Fiber Channel/1.25 Gigabit Ethernet

Receiver Electro-optical Characteristics

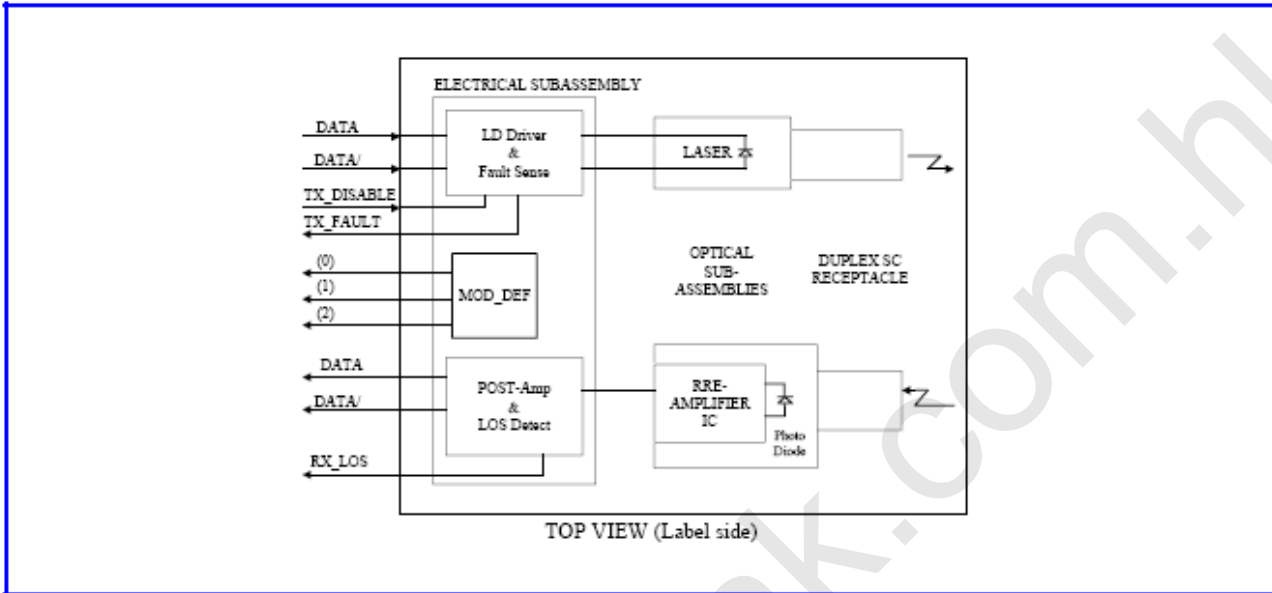
$V_{CC} = 3.1\text{ V to } 3.5\text{ V}$, $T_C = 0\text{ }^\circ\text{C to } 70\text{ }^\circ\text{C}$

PARAMETER	SYMBOL	MIN	TYP.	MAX	UNITS	NOTE
Optical Input Power-maximum	P_{IN}	-1	---	---	dBm	BER < 10^{-12}
Optical Input Power-minimum (Sensitivity)	P_{IN}	---	-27	-24	dBm	BER < 10^{-12}
Operating Center Wavelength	λ_C	1260	---	1620	nm	
Optical Return Loss	ORL	12	---	---	dB	
Signal Detect-Asserted	P_A	---	---	-24	dBm	
Signal Detect-Deasserted	P_D	-35	---	---	dBm	
Differential Output Voltage	V_{DIFF}	0.5	---	1.2	V	
Data Output Rise, Fall Time (20–80%)	$T_{r,f}$	---	---	0.35	ns	
Receiver Loss of Signal Output Voltage-Low	RX_LOS_L	0	---	0.5	V	
Receiver Loss of Signal Output Voltage-High	RX_LOS_H	2.4	---	V_{CC}	V	



RoHS compliant
CWDM Transceiver, 20dB margin
Small Form Pluggable (SFP), 3.3V
1.0625Gbd Fiber Channel/1.25 Gigabit Ethernet

Block Diagram of Transceiver



Transmitter Section

The transmitter section consists of a 1310 nm InGaAsP laser in an eye safe optical subassembly (OSA) which mates to the fiber cable. The laser OSA is driven by a LD driver IC which converts differential input LVPECL logic signals into an analog laser driving current.

TX_DISABLE

The TX_DISABLE signal is high (TTL logic "1") to turn off the laser output. The laser will turn on when TX_DISABLE is low (TTL logic "0").

Receiver Section

The receiver utilizes an InGaAs PIN photodiode mounted together with a trans-impedance preamplifier IC in an OSA. This OSA is connected to a circuit providing post-amplification quantization, and optical signal detection.

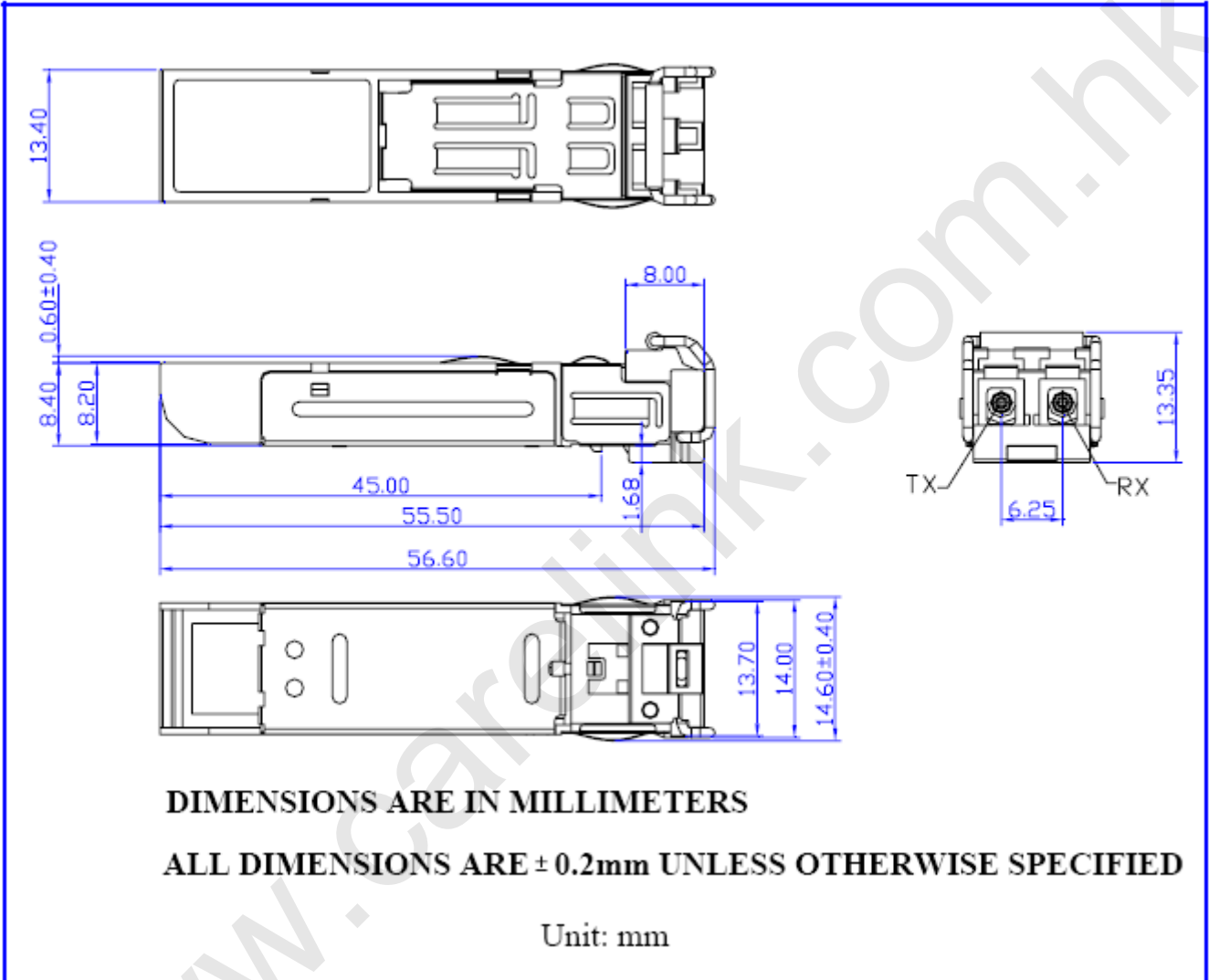
Receive Loss (RX_LOS)

The RX_LOS is high (logic "1") when there is no incoming light from the companion transceiver. This signal is normally used by the system for the diagnostic purpose. The signal is operated in LVTTTL level.



RoHS compliant
CWDM Transceiver, 20dB margin
Small Form Pluggable (SFP), 3.3V
1.0625Gbd Fiber Channel/1.25 Gigabit Ethernet

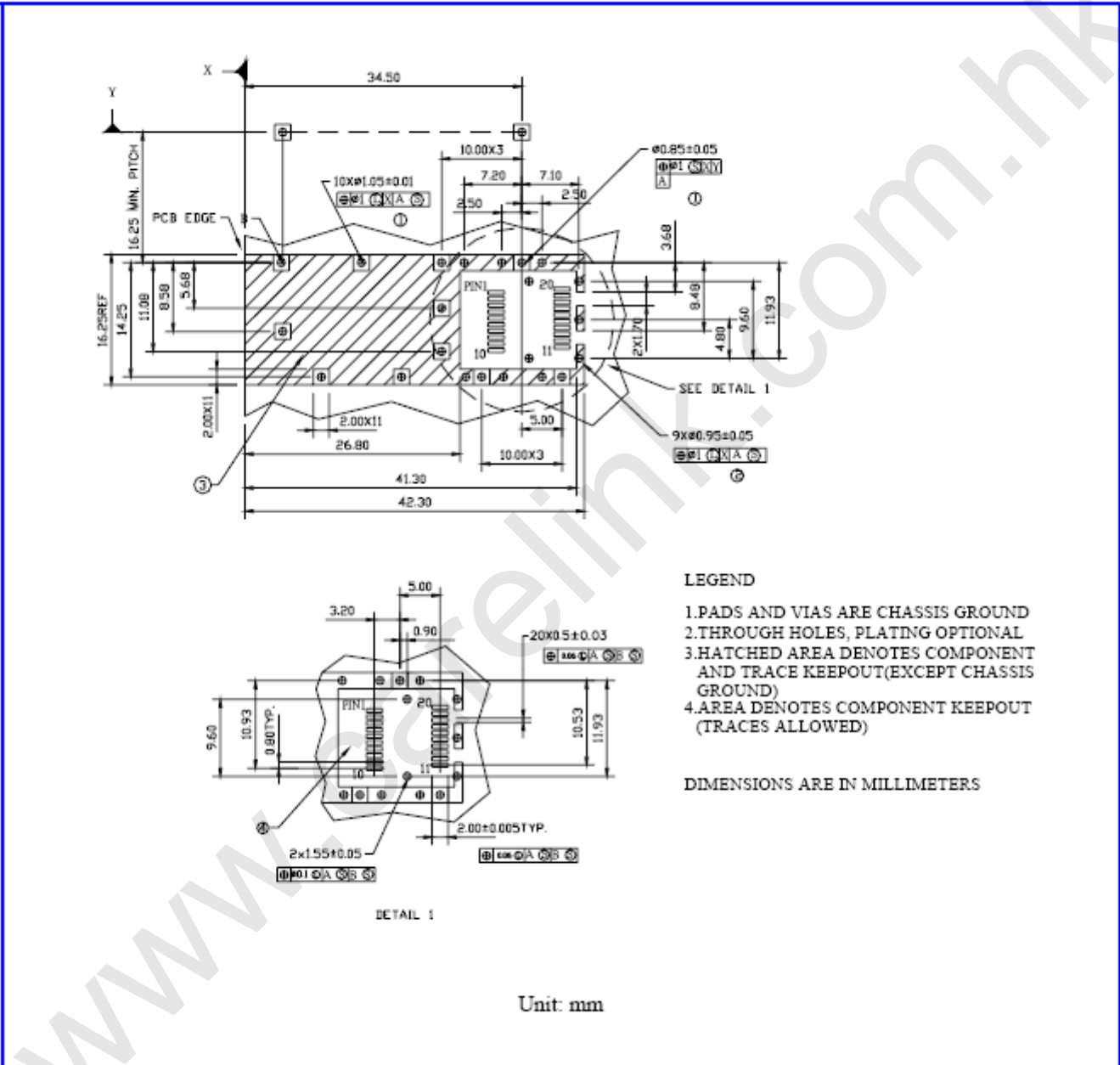
Dimensions





RoHS compliant
 CWDM Transceiver, 20dB margin
 Small Form Pluggable (SFP), 3.3V
 1.0625Gbd Fiber Channel/1.25 Gigabit Ethernet

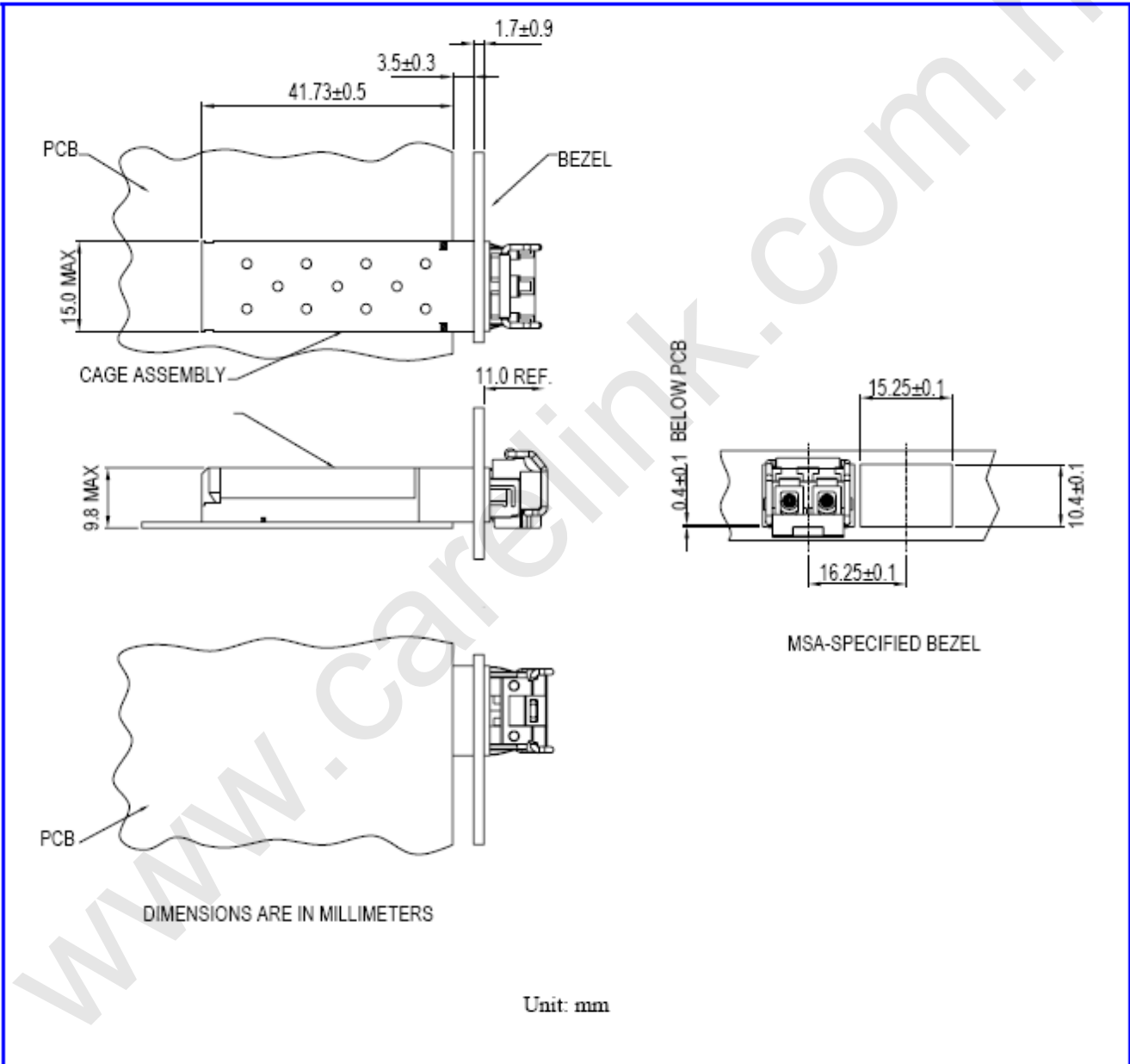
SFP host board mechanical layout





RoHS compliant
CWDM Transceiver, 20dB margin
Small Form Pluggable (SFP), 3.3V
1.0625Gbd Fiber Channel/1.25 Gigabit Ethernet

Assembly drawing

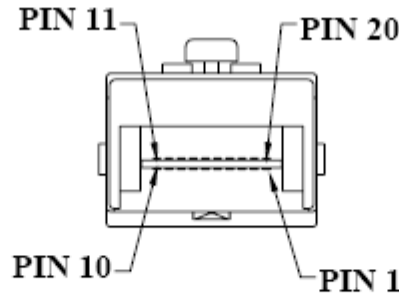




RoHS compliant
 CWDM Transceiver, 20dB margin
 Small Form Pluggable (SFP), 3.3V
 1.0625Gbd Fiber Channel/1.25 Gigabit Ethernet

Pin Assignment

Pin-Out



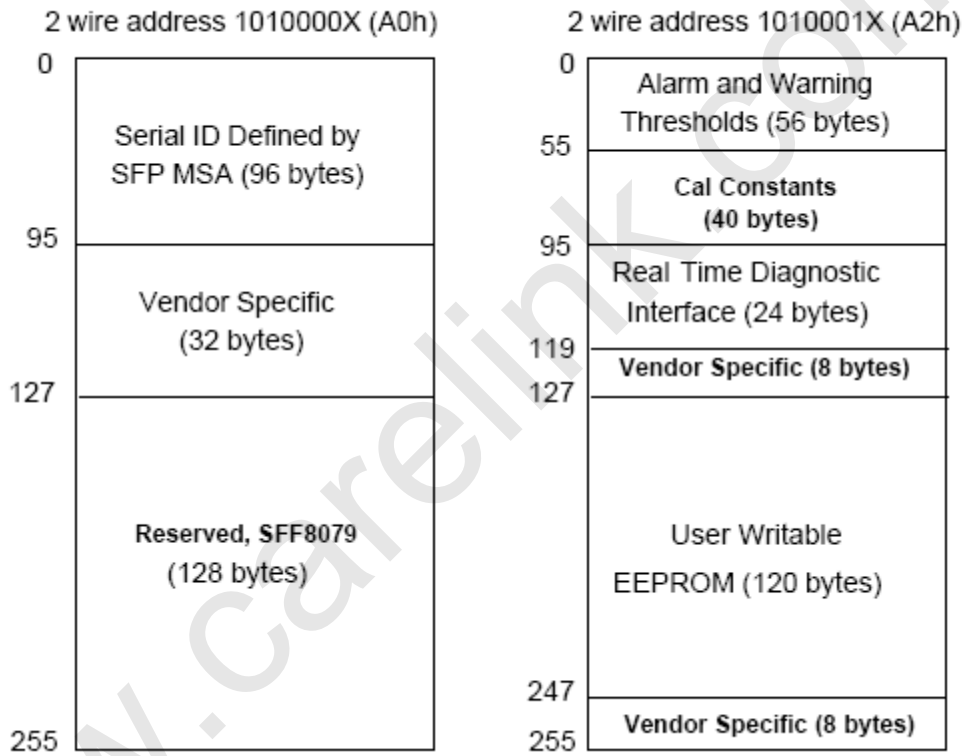
Pin	Signal Name	Description
1	T_{GND}	Transmit Ground
2	TX_FAULT	Transmit Fault
3	$TX_DISABLE$	Transmit Disable
4	$MOD_DEF (2)$	SDA Serial Data Signal
5	$MOD_DEF (1)$	SCL Serial Clock Signal
6	$MOD_DEF (0)$	TTL Low
7	$RATE_SELECT$	Open Circuit
8	RX_LOS	Receiver Loss of Signal, TTL High, open collector
9	R_{GND}	Receiver Ground
10	R_{GND}	Receiver Ground
11	R_{GND}	Receiver Ground
12	$RX-$	Receive Data Bar, Differential PECL, ac coupled
13	$RX+$	Receive Data, Differential PECL, ac coupled
14	R_{GND}	Receiver Ground
15	V_{CCR}	Receiver Power Supply
16	V_{CCT}	Transmitter Power Supply
17	T_{GND}	Transmitter Ground
18	$TX+$	Transmit Data, Differential PCEL, ac coupled
19	$TX-$	Transmit Data Bar, Differential PCEL, ac coupled
20	T_{GND}	Transmitter Ground



RoHS compliant
CWDM Transceiver, 20dB margin
Small Form Pluggable (SFP), 3.3V
1.0625Gbd Fiber Channel/1.25 Gigabit Ethernet

EEPROM Information

EEPROM memory map specific data field description is as below:



Regulatory Compliance

- ESD to the Electrical PINs: compatible with MIL-STD-883 Method 3015
- ESD to the Duplex LC Receptacle: compatible with IEC 61000-4-2
- Immunity compatible with IEC 61000-4-3
- EMI compatible with FCC Part 15 Class B EN55022 Class B (CISPR 22B) VCCI Class



RoHS compliant
CWDM Transceiver, 20dB margin
Small Form Pluggable (SFP), 3.3V
1.0625Gbd Fiber Channel/1.25 Gigabit Ethernet

Eye Safety Mark

The LM2 series multimode transceiver is a class 1 laser product. It complies with EN 60825-1 and FDA 21 CFR 1040.10 and 1040.11. In order to meet laser safety requirements the transceiver shall be operated within the Absolute Maximum Ratings.

Caution

All adjustments have been done at the factory before the shipment of the devices. No maintenance and user serviceable part is required. Tampering with and modifying the performance of the device will result in voided product warranty.

Required Mark

Class 1 Laser Product
Complies with
21 CFR 1040.10 and 1040.11

Note : All information contained in this document is subject to change without notice.