



RoHS compliant
TX-1550/RX-1310 nm Single-mode Bi-directional
SFP LC Simplex Connector (3km)
1.0625Gbd Fiber Channel/1.25 Gigabit Ethernet



Features

- Compliant with IEEE802.3z Gigabit Ethernet Standard
- Compliant with Fiber Channel 100-SM-LC-L standard
- Industry standard small form pluggable (SFP) package
- Simplex LC connector
- Differential LVPECL inputs and outputs
- Single power supply 3.3V
- TTL signal detect indicator
- Hot Pluggable
- Class 1 laser product complies with EN 60825-1

Ordering Information

PART NUMBER	TX/RX	INPUT/OUTPUT	SIGNAL DETECT	TEMPERATURE	LD Type	Distance
CL-SFP-WDM-3-55	1550/1310	AC/AC	TTL	0°C to 70 °C	1550 FP	3km
CL-SFP-WDM-3-55i	1550/1310	AC/AC	TTL	-40°C to 85 °C	1550 FP	3km

Absolute Maximum Ratings

PARAMETER	SYMBOL	MIN	MAX	UNITS	NOTE
Storage Temperature	T_S	-40	85	°C	
Supply Voltage	V_{CC}	-0.5	4.0	V	
Input Voltage	V_{IN}	-0.5	V_{CC}	V	
Output Current	I_o	---	50	mA	
Operating Current	I_{OP}	---	400	mA	



RoHS compliant
 TX-1550/RX-1310 nm Single-mode Bi-directional
 SFP LC Simplex Connector (3km)
 1.0625Gbd Fiber Channel/1.25 Gigabit Ethernet

Recommended Operating Conditions

PARAMETER	SYMBOL	MIN	MAX	UNITS	NOTE
Case Operating Temperature	T_C	0 -40	70 85	°C	
Supply Voltage	V_{CC}	3.1	3.5	V	
Supply Current	$I_{TX} + I_{RX}$	---	250	mA	

Transmitter Electro-optical Characteristics

$V_{CC} = 3.1\text{ V to }3.5\text{ V}$, $T_C = 0\text{ °C to }70\text{ °C}$ (-40 °C to 85 °C)

PARAMETER	SYMBOL	MIN	TYP.	MAX	UNITS	NOTE
Output Optical Power 9/125 μm fiber	P_{out}	-13	---	-3	dBm	Average
Extinction Ratio	ER	9	---	---	dB	
Center Wavelength	λ_C	1480	1530	1580	nm	
Spectral Width (RMS)	$\Delta\lambda$	---	---	3	nm	
Rise/Fall Time, (20–80%)	$T_{n\ f}$	---	---	260	ps	
Relative Intensity Noise	RIN	---	---	-120	dB/Hz	
Total Jitter	TJ	---	---	227	ps	
Output Eye	Compliant with IEEE802.3z					
Max. P_{out} TX-DISABLE Asserted	P_{OFF}	---	---	-45	dBm	
Differential Input Voltage	V_{DIFF}	0.4	---	2.0	V	



RoHS compliant
TX-1550/RX-1310 nm Single-mode Bi-directional
SFP LC Simplex Connector (3km)
1.0625Gbd Fiber Channel/1.25 Gigabit Ethernet

Receiver Electro-optical Characteristics

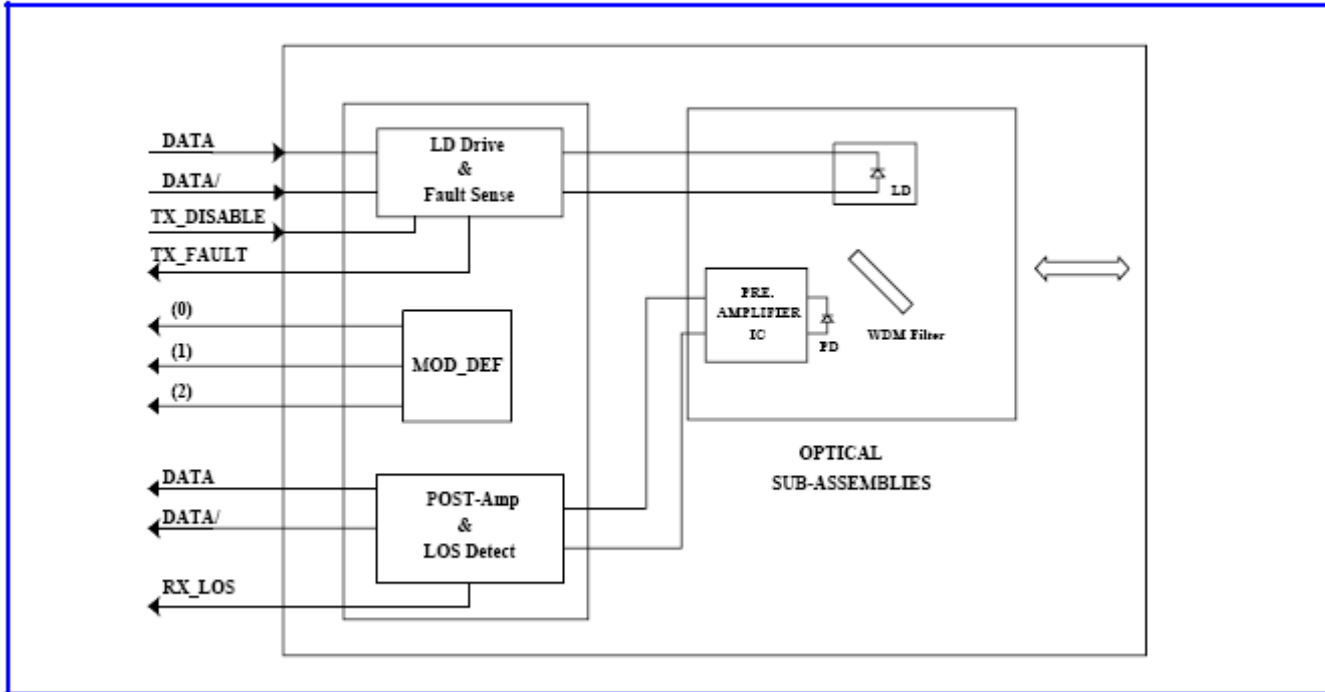
$V_{CC} = 3.1\text{ V to }3.5\text{ V}$, $T_C = 0\text{ }^{\circ}\text{C to }70\text{ }^{\circ}\text{C}$ ($-40\text{ }^{\circ}\text{C to }85\text{ }^{\circ}\text{C}$)

PARAMETER	SYMBOL	MIN	TYP.	MAX	UNITS	NOTE
Optical Input Power-maximum	P_{IN}	-1	---	---	dBm	BER < 10^{-12}
Optical Input Power-minimum (Sensitivity)	P_{IN}	---	---	-21	dBm	BER < 10^{-12}
Operating Center Wavelength	λ_C	1260	---	1360	nm	
Optical Return Loss	ORL	14	---	---	dB	$\lambda=1260\sim1360\text{nm}$
Optical isolation	ISO	---	---	-40	dB	$\lambda=1260\sim1360\text{nm}$
Signal Detect-Asserted	P_A	---	---	-21	dBm	
Signal Detect-Deasserted	P_D	-35	---	---	dBm	
Differential Output Voltage	V_{DIFF}	0.5	---	1.2	V	
Data Output Rise, Fall Time (20–80%)	$T_{r,f}$	---	---	0.35	ns	
Receiver Loss of Signal Output Voltage-Low	RX_LOS_L	0	---	0.5	V	
Receiver Loss of Signal Output Voltage-High	RX_LOS_H	2.4	---	V_{CC}	V	



RoHS compliant
TX-1550/RX-1310 nm Single-mode Bi-directional
SFP LC Simplex Connector (3km)
1.0625Gbd Fiber Channel/1.25 Gigabit Ethernet

Block Diagram of Transceiver



Transmitter and Receiver Optical Sub-assembly Section

A 1550 nm InGaAsP laser and an InGaAs PIN photodiode integrate with an WDM filter to form a bi-directional single fiber optical subassembly (OSA). The laser of OSA is driven by a LD driver IC which converts differential input LVPECL logic signals into an analog laser driving current. And, The photodiode of OSA is connected to a circuit providing post-amplification quantization, and optical signal detection.

TX_DISABLE

The TX_DISABLE signal is high (TTL logic "1") to turn off the laser output.

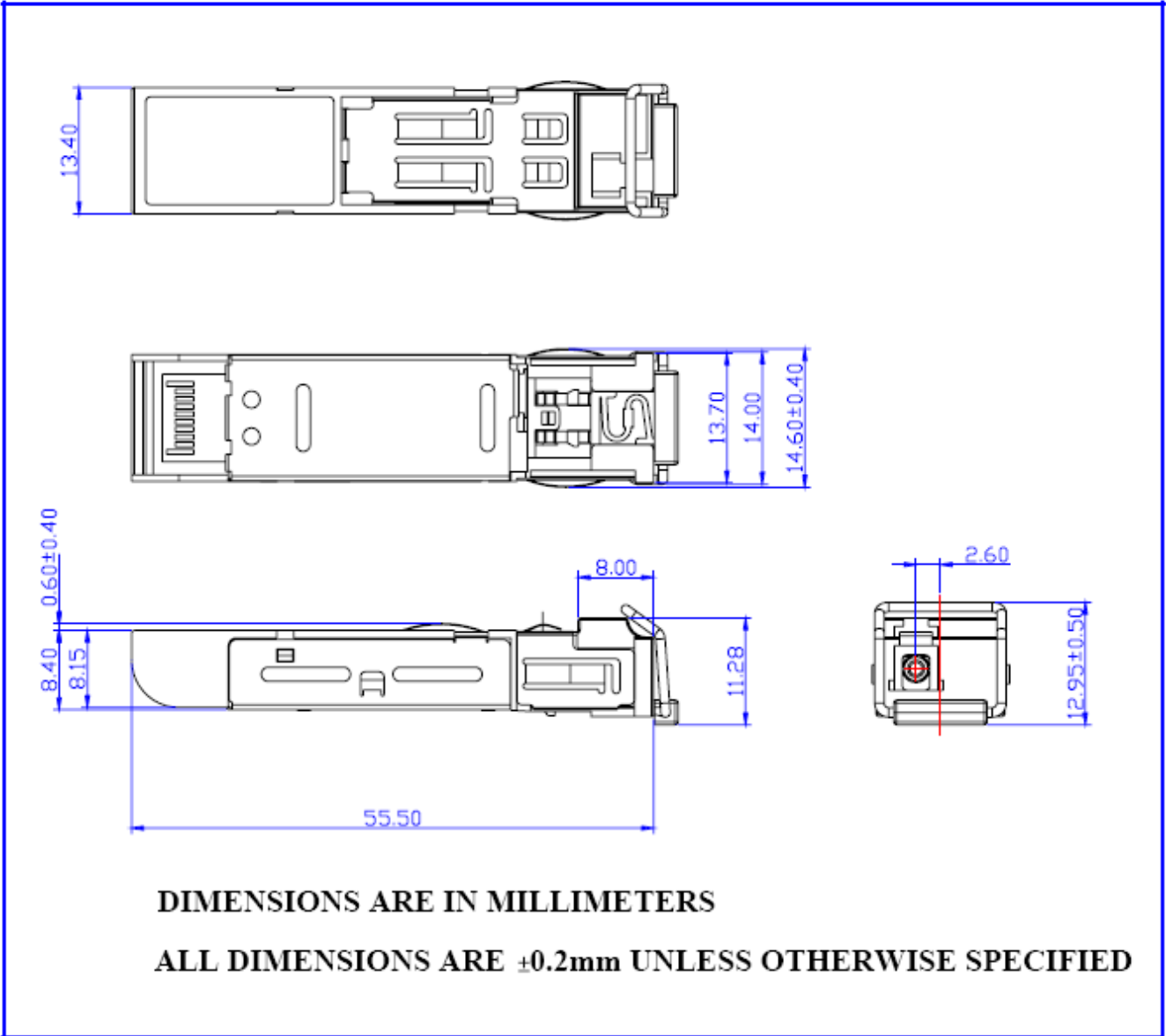
Receive Loss (RX_LOS)

The RX_LOS is high (logic "1") when there is no incoming light from the companion transceiver. This signal is normally used by the system for the diagnostic purpose. The signal is operated in TTL level.



RoHS compliant
TX-1550/RX-1310 nm Single-mode Bi-directional
SFP LC Simplex Connector (3km)
1.0625Gbd Fiber Channel/1.25 Gigabit Ethernet

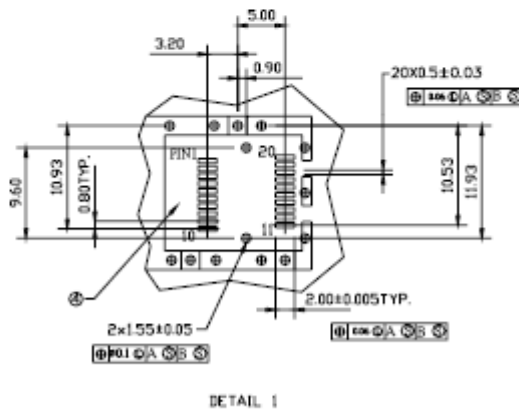
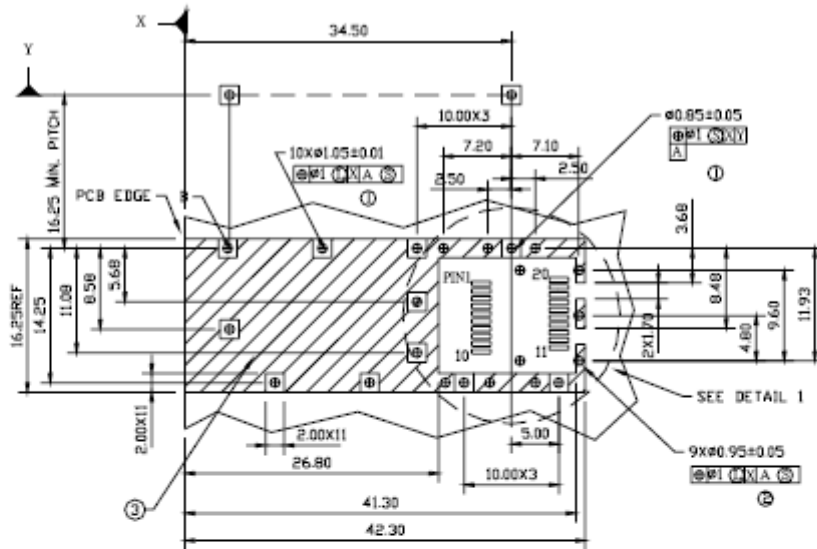
Dimensions





RoHS compliant
 TX-1550/RX-1310 nm Single-mode Bi-directional
 SFP LC Simplex Connector (3km)
 1.0625Gbd Fiber Channel/1.25 Gigabit Ethernet

SFP host board mechanical layout



LEGEND

- 1.PADS AND VIAS ARE CHASSIS GROUND
- 2.THROUGH HOLES, PLATING OPTIONAL
- 3.HATCHED AREA DENOTES COMPONENT AND TRACE KEEPOUT(EXCEPT CHASSIS GROUND)
- 4.AREA DENOTES COMPONENT KEEPOUT (TRACES ALLOWED)

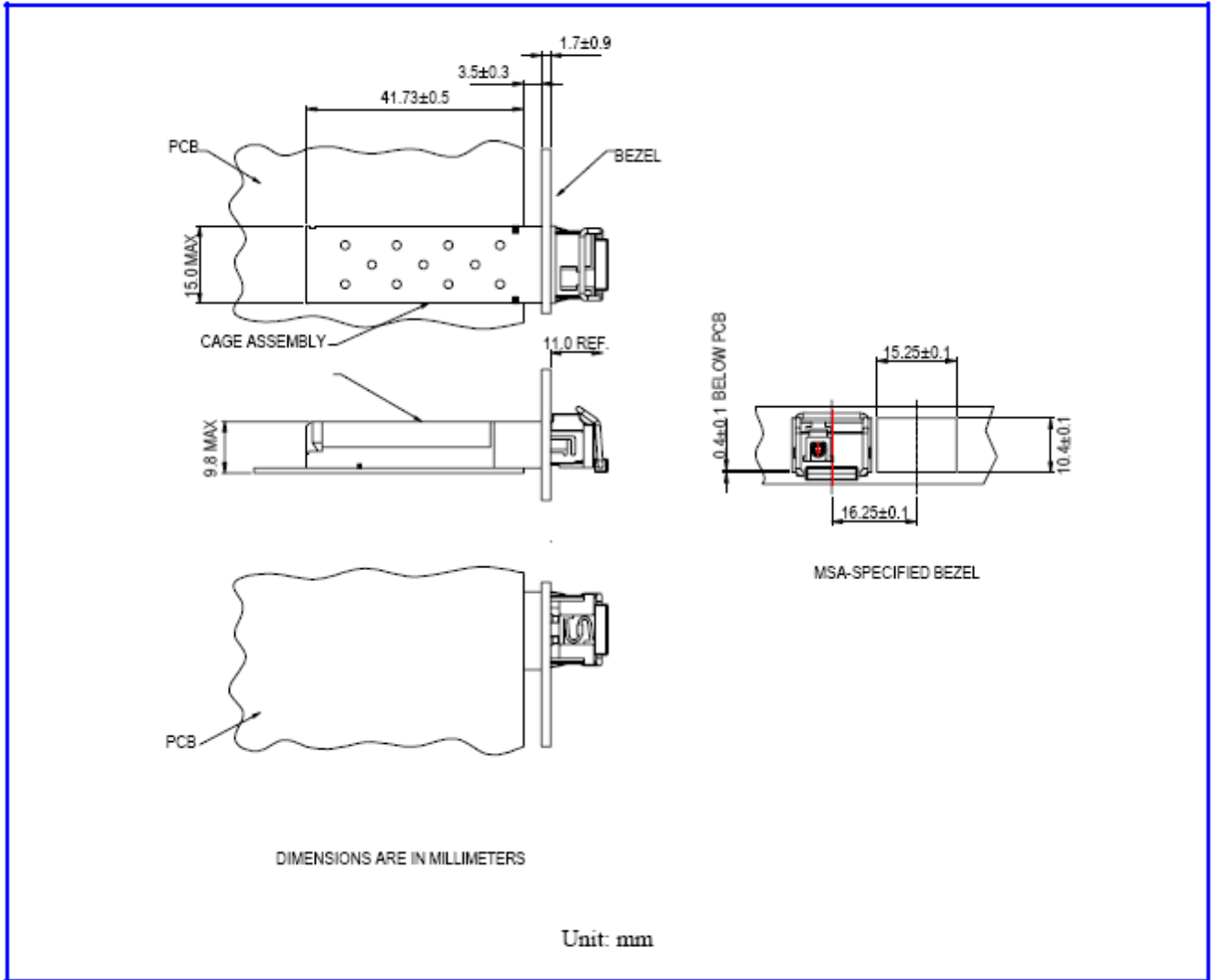
DIMENSIONS ARE IN MILLIMETERS

Unit: mm



RoHS compliant
TX-1550/RX-1310 nm Single-mode Bi-directional
SFP LC Simplex Connector (3km)
1.0625Gbd Fiber Channel/1.25 Gigabit Ethernet

Assembly drawing

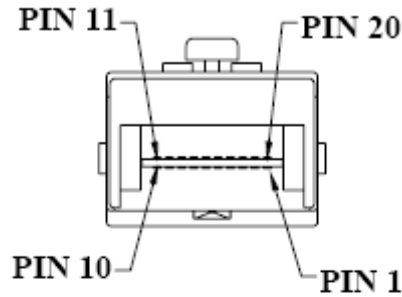




RoHS compliant
 TX-1550/RX-1310 nm Single-mode Bi-directional
 SFP LC Simplex Connector (3km)
 1.0625Gbd Fiber Channel/1.25 Gigabit Ethernet

Pin Assignment

Pin-Out



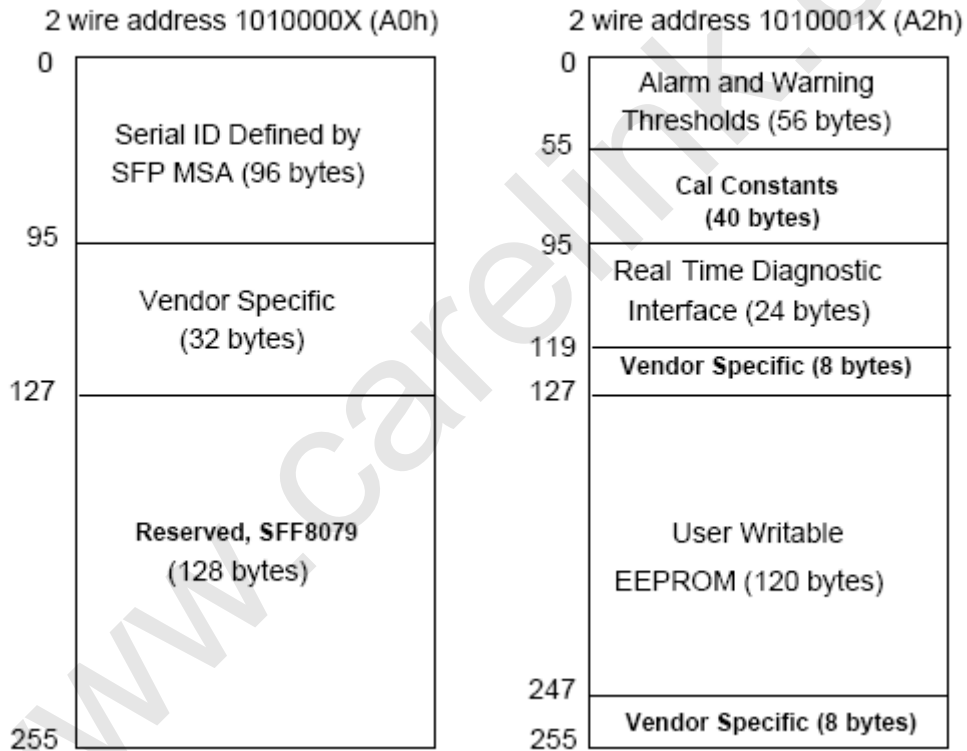
Pin	Signal Name	Description
1	<i>T_{GND}</i>	Transmit Ground
2	<i>TX_FAULT</i>	Transmit Fault
3	<i>TX_DISABLE</i>	Transmit Disable
4	<i>MOD_DEF (2)</i>	SDA Serial Data Signal
5	<i>MOD_DEF (1)</i>	SCL Serial Clock Signal
6	<i>MOD_DEF (0)</i>	TTL Low
7	<i>RATE_SELECT</i>	Open Circuit
8	<i>RX_LOS</i>	Receiver Loss of Signal, TTL High, open collector
9	<i>R_{GND}</i>	Receiver Ground
10	<i>R_{GND}</i>	Receiver Ground
11	<i>R_{GND}</i>	Receiver Ground
12	<i>RX-</i>	Receive Data Bar, Differential PECL, ac coupled
13	<i>RX+</i>	Receive Data, Differential PECL, ac coupled
14	<i>R_{GND}</i>	Receiver Ground
15	<i>V_{CCR}</i>	Receiver Power Supply
16	<i>V_{CCT}</i>	Transmitter Power Supply
17	<i>T_{GND}</i>	Transmitter Ground
18	<i>TX+</i>	Transmit Data, Differential PCEL, ac coupled
19	<i>TX-</i>	Transmit Data Bar, Differential PCEL, ac coupled
20	<i>T_{GND}</i>	Transmitter Ground



RoHS compliant
TX-1550/RX-1310 nm Single-mode Bi-directional
SFP SC Simplex Connector (3km)
1.0625Gbd Fiber Channel/1.25 Gigabit Ethernet

EEPROM Information

EEPROM memory map specific data field description is as below:





RoHS compliant
TX-1550/RX-1310 nm Single-mode Bi-directional
SFP LC Simplex Connector (3km)
1.0625Gbd Fiber Channel/1.25 Gigabit Ethernet

Eye Safety Mark

The LS3 series singlemode transceiver is a class 1 laser product. It complies with EN 60825-1 and FDA 21 CFR 1040.10 and 1040.11. In order to meet laser safety requirements the transceiver shall be operated within the Absolute Maximum Ratings.

Caution

All adjustments have been done at the factory before the shipment of the devices. No maintenance and user serviceable part is required. Tampering with and modifying the performance of the device will result in voided product warranty.

Required Mark

Class 1 Laser Product
Complies with
21 CFR 1040.10 and 1040.11

Note : All information contained in this document is subject to change without notice.