



RoHS compliant
CL-MC-W2B-20-100 / 1550 nm Single-mode Media Converter
10/100Base-Tx to 100Base-Fx



Features

1. Built in a 2-port switch:

- Pass all packets without address and CRC check (optional) ;
- Supports modified cut-through frame forwarding for low latency ;
- Supports pure converter mode data forwarding for extreme low latency ;
- Supports flow control for full and half duplex operation ;
- Bandwidth control ;
- Forward 1600 bytes packet for management ;
- Optional forward fragments.

2. Supports 100Base-FX standard ;

3. Built in 128Kb RAM for data buffer ;

4. Supports auto MDI-MDIX function ;

5. Supports link fault pass through function (LFP) ;

6. Supports for end fault function (optional) ;

7. LED display for link/activity, full/half, 10/100M

8. Support EEPROM configuration (optional) ;

9. the longest transmission distance reach 20 kilometers ;

General Description

The media converter transform the transmission media of Ethernet signal from CAT5 to optical fiber. it can extend the transmission distance to several kilometer or hundred kilometer.

Using media converter is a economical solution to achieve long distance transmission base on current status

Ordering Information

PART NUMBER	VOLTAGE	TEMPERATURE
CL-MC-W2B-20-100	+5V DC/200V/110V AC	0°C to 70 °C



RoHS compliant
CL-MC-W2B-20-100 / 1550 nm Single-mode Media Converter
10/100Base-Tx to 100Base-Fx

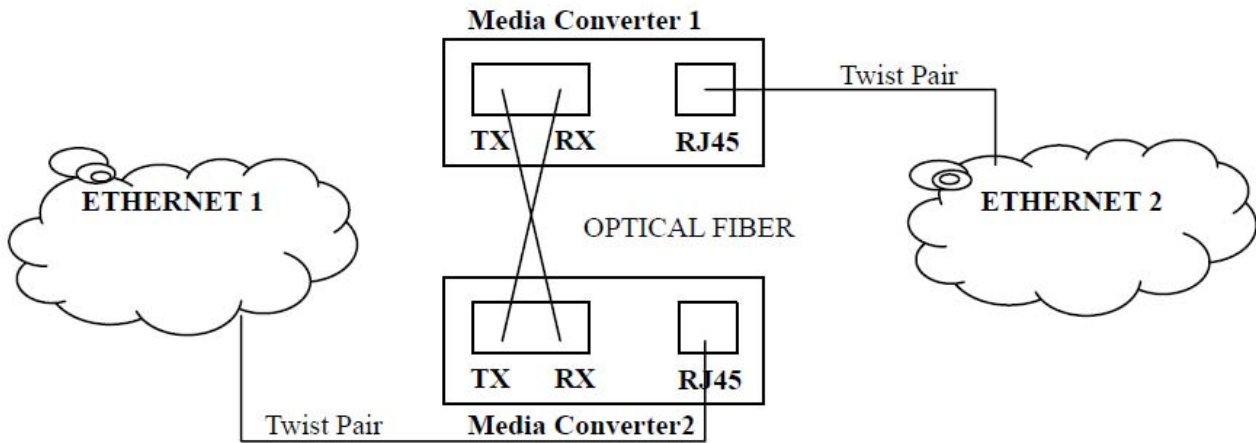


FIGURE 1.1 Media converter application

Standard

IEEE802.3 ETHERNET STANDARD

IEEE802.3u FAST ETHERNET STANDARD

Products Classifications & Leds

1. ACCORDING TO OUTLINE :
 - 200V/110V AC input power standalone media converter;
 - +5V DC input power standalone media converter;
 - Optional USB PORT or +5V DC input power standalone media converter;
 - media converter Card;
 - Rack System Chassis(2U) ;
2. ACCORDING TO QUANTITY of FIBER :
 - Single fiber bidirection media converter,
 - Dual fiber media converter ;
3. ACCORDING TO TYPE OF FIBER :
 - Multimode media converter, Singlemode media converter ;
4. +5V DC input power standalone media converter can be applied for 14 slots rack mounted chassis, media converter Card applied for 16 slots rack mounted chassis



RoHS compliant
CL-MC-W2B-20-100 / 1550 nm Single-mode Media Converter
10/100Base-Tx to 100Base-Fx

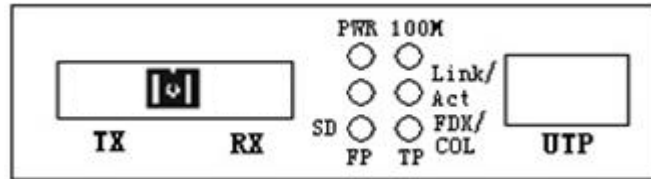


Table 1 : Front panel for dual fiber media converter

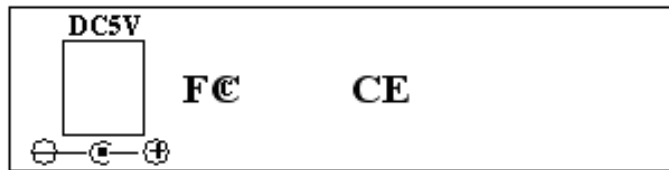


Table 2 : Back panel for single/dual fiber media converter

Led Function Description

TABLE 5.1 LED FUNCTION DISCRIPTION

LED		STATUS
PWR	ON	POWER ON
	OFF	POWER OFF
FX-SD	ON	RECEIVER OPTICAL SIGNAL
	OFF	NO OPTICAL SIGNAL INPUT
FX-LINK/ACT	ON	LINKED ON FIBER PORT
	FLASH	ACTIVITY
	OFF	NOT LINKED
TX-SPD	ON	100M BASE-TX
	OFF	10M BASE-TX
TX-LINK/ACT	ON	LINKED ON UTP PORT
	FLASH	ACTIVITY
	OFF	NOT LINKED
TX-FDX/COL	ON	FULL DUPLEX
	OFF	HALF DUPLEX



RoHS compliant
CL-MC-W2B-20-100 / 1550 nm Single-mode Media Converter
10/100Base-Tx to 100Base-Fx

Parameter

TABLE 6.1 PARAMETER

	10/100M multimode media converter	10/100M singlemode media converter
Cable	MM Fiber / Twist Pair	SM Fiber / Twist Pair
Transmission Type	10/100M FDX/HDX	10/100M FDX/HDX
MTBF	>3 years	>3 years
BER	<1E-8	<1E-8
Data Buffer	128Kb	128Kb
Power temperature variation	0. 2mw/°C	0. 2mw/°C
Input Power Range (dBm)	0~-30	0~-40
Operate Temperature	0°C~70°C	0°C~70°C
Storage Temperature	-45°C~80°C	-45°C~80°C
I _{max}	800mA	800mA
Power	2. 5w	2. 5w
EMC	FCC Part15	FCC Part15
Size	95×70×26mm (external power)	95×70×26mm (external power)
	140×110×30mm (internal power)	140×110×30mm (internal power)



RoHS compliant
CL-MC-W2B-20-100 / 1550 nm Single-mode Media Converter
10/100Base-Tx to 100Base-Fx

Eye Safety Mark

The LM2 series multimode transceiver is a class 1 laser product. It complies with EN 60825-1 and FDA 21 CFR 1040.10 and 1040.11. In order to meet laser safety requirements the transceiver shall be operated within the Absolute Maximum Ratings.

Caution

All adjustments have been done at the factory before the shipment of the devices. No maintenance and user serviceable part is required. Tampering with and modifying the performance of the device will result in voided product warranty.

Required Mark

Class 1 Laser Product
Complies with
21 CFR 1040.10 and 1040.11

Note : All information contained in this document is subject to change without notice.